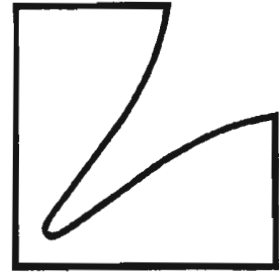


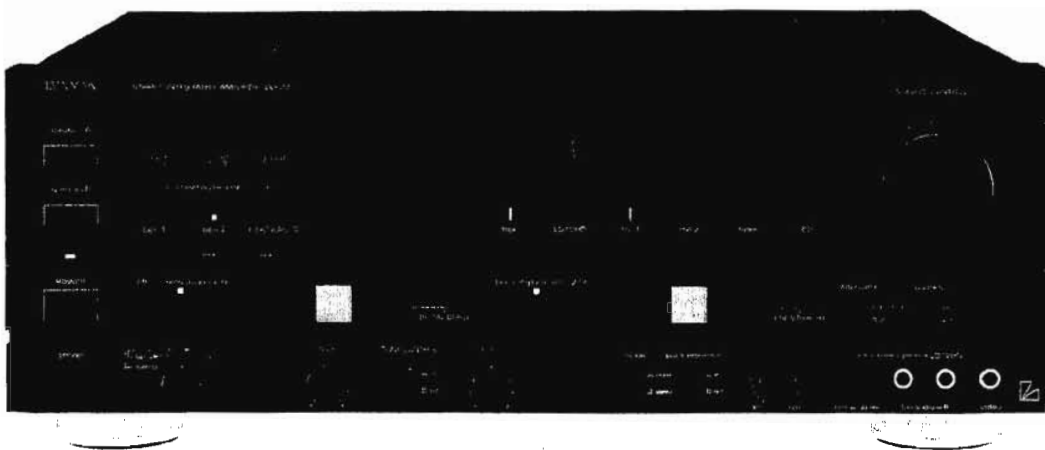
121

# SERVICE MANUAL



Stereo Integrated Amplifier

# LV-117



121

---

## Contents

---

Specifications .....	3
Parts Locations and Disassembly Instructions .....	4 to 5
Adjustment Procedures .....	5 to 6
Adjustment Locations .....	7 to 8
Block Diagram .....	8
Parts Layout on P. C. Boards and Wiring Diagram (UQ and UZ model only 1/3) .....	9 to 11
Parts Layout on P. C. Boards and Wiring Diagram (UQ and UZ model only 2/3) .....	12 to 14
Parts Layout on P. C. Boards and Wiring Diagram (UQ and UZ model only 3/3) .....	15 to 17
Parts Layout on P. C. Boards and Wiring Diagram (AD and JA model only 1/3) .....	18 to 20
Parts Layout on P. C. Boards and Wiring Diagram (AD and JA model only 2/3) .....	21 to 23
Parts Layout on P. C. Boards and Wiring Diagram (AD and JA model only 3/3) .....	24 to 26
Schematic Diagram (1/2) .....	27 to 29
Schematic Diagram (2/2) .....	30 to 32
Electrical Parts List .....	33 to 43
Packing Assembly Parts List .....	44
Packing Method View .....	44
Cabinet Assembly Parts List .....	45 to 46
Exploded View (Cabinet) .....	47 to 48
Semi-Conductor Lead Identifications .....	49 to 55

---

## Specifications

Power Output	110W/ch (8 ohms 20Hz~20kHz)
Total Harmonic Distortion	0.05% (20Hz~20kHz at 110W into 8 ohm)
Input Sensitivity (at 1kHz)	CD : 150mV±10% Tuner : 150mV±10% Line-1, 2 : 150mV±10% LD : 150mV±10% VHD : 150mV±10% Tape-1~3 : 150mV±10%
Input Impedance (at 1kHz)	CD : 47k ohm±10% Tuner : 47k ohm±10% Line-1, 2 : 47k ohm±10% LD : 47k ohm±10% VHD : 47k ohm±10% Tape-1~3 : 30k ohm±10%
Frequency Response (10Hz~100kHz)	CD : ±1.5dB Tuner : ±1.5dB Line-1, 2 : ±1.5dB LD : ±1.5dB VHD : ±1.5dB Tape-1~3 : ±1.5dB
Tone Controls	Bass (100Hz) : ±9±2dB Treble (10kHz) : ±6±2dB (JA and AD Model only) ±6+4, -2dB (UZ and UQ Model only)
Loudness Control (VR-30dB)	10Hz : +6+5, -2dB 10kHz : +4+5, -2dB
S/N Ratio (Input Short-Circuit)	CD : 85.9dB Tuner : 85.9dB Line-1, 2 : 85.9dB LD : 85.9dB VHD : 85.9dB Tape-1~3 : 85.9dB
Cross Talk (at 1kHz)	CD : 60dB Tuner : 60dB Line-1, 2 : 60dB LD : 60dB VHD (SP Out) : 60dB
Head-phone Output	(110W/8 ohm-1kHz) 400mV±10%
Power Supply	100V, 50/60Hz (JA Model only) 120/220/240V, 50Hz (AD Model only) 120V, 60Hz (UZ and UQ Model only)
Semiconductors	24 IC's, 59 Transistors, 12 FETs, 32 Diodes, 16 Zener Diodes (JA Model only) 24 IC's, 59 Transistors, 12 FETs, 28 Diodes, 18 Zener Diodes (AD Model only) 25 IC's, 60 Transistors, 12 FETs, 34 Diodes, 18 Zener Diodes (UQ Model only) 25 IC's, 64 Transistors, 12 FETs, 38 Diodes, 18 Zener Diodes (UZ Model only)
Dimensions	438 (W) × 166 (H) × 422 (D) mm
Weight	15.7kg

### Digital/Analog Section

Output Level (at 1kHz)	2V±1%
Frequency Response (20Hz~20kHz)	±1dB
S/N Ratio	90dB
Cross Talk (at 1kHz)	75dB
Total Harmonic Distortion (at 1kHz)	0.0%
Dynamic Range (at 1kHz)	70dB

**NOTE :** Due to continuing product improvement, specifications and design are subject to change without notice

## Parts Locations and Disassembly Instructions

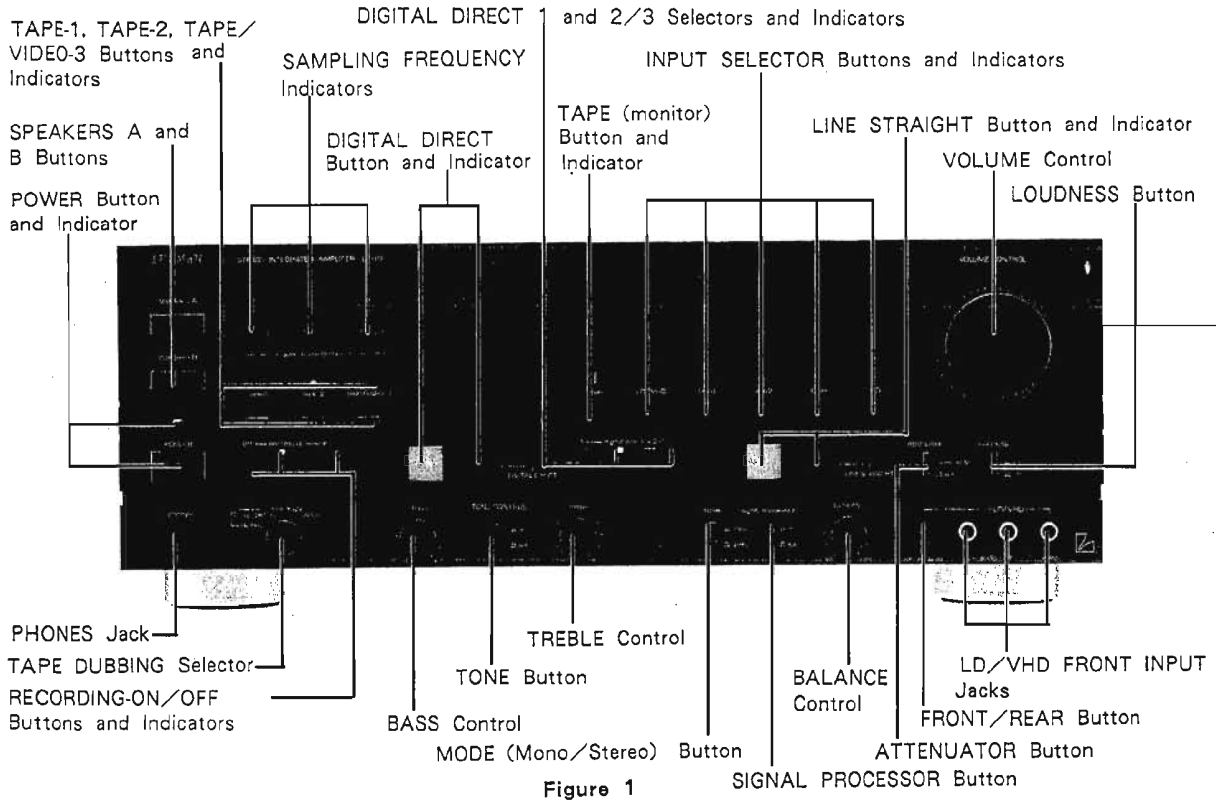


Figure 1

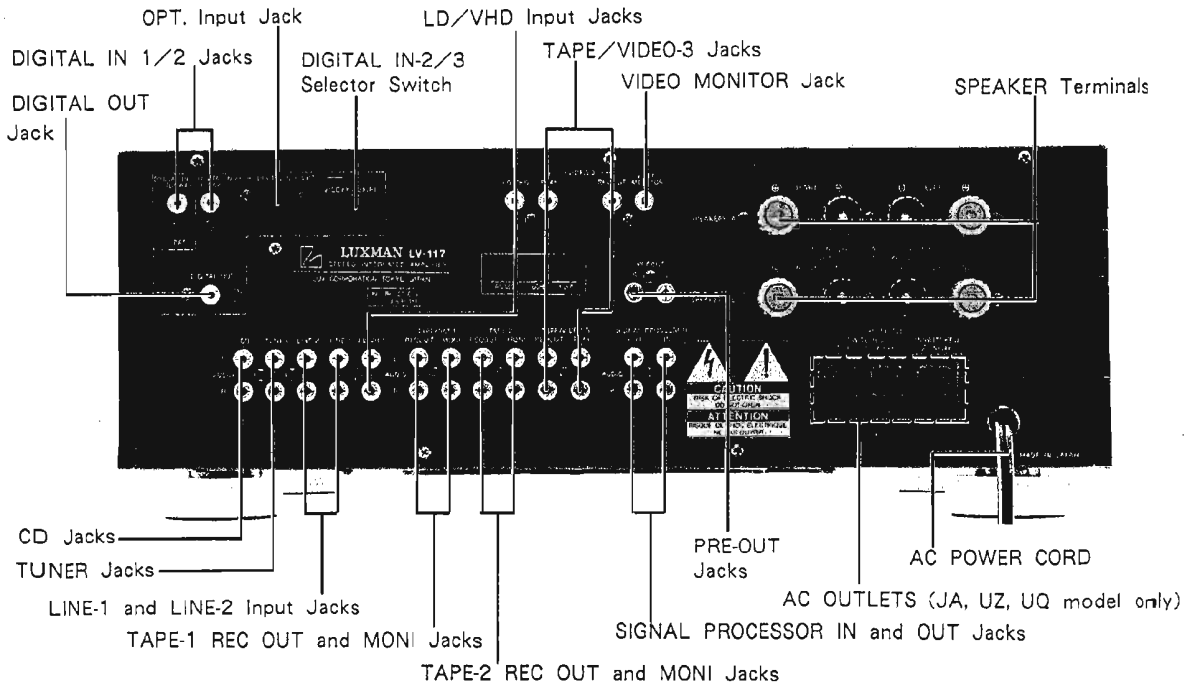


Figure 2

**1. Removal of Main P. C. Board**

- (1) After removal of the top cover, remove five screws marked "O" as shown in Figure 3.
- (2) After removal of the bottom cover and chassis channel, remove three screws marked "△" and solders (A) as shown in Figure 4.
- (3) Disconnect all wires from the Main P. C. Board and the P. C. Board with heatsink can be removed completely.

**1. メイン基板の外し方**

- (1) 上蓋を外してから5本のネジ (O印) を外します。(3図参照)
- (2) 底蓋とシャーシ・チャンネルを外してから3本のネジ (△印) と半田 (A) を外します。(4図参照)
- (3) メイン基板から出ている全てのリード線を外せば、基板はヒート・シンクと一緒に外せます。

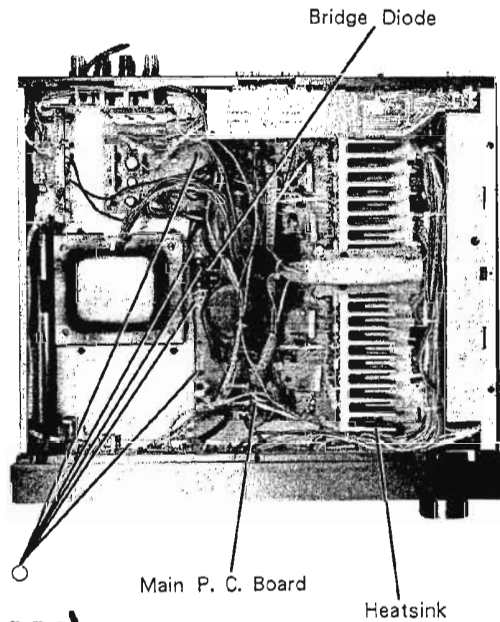


Figure 3

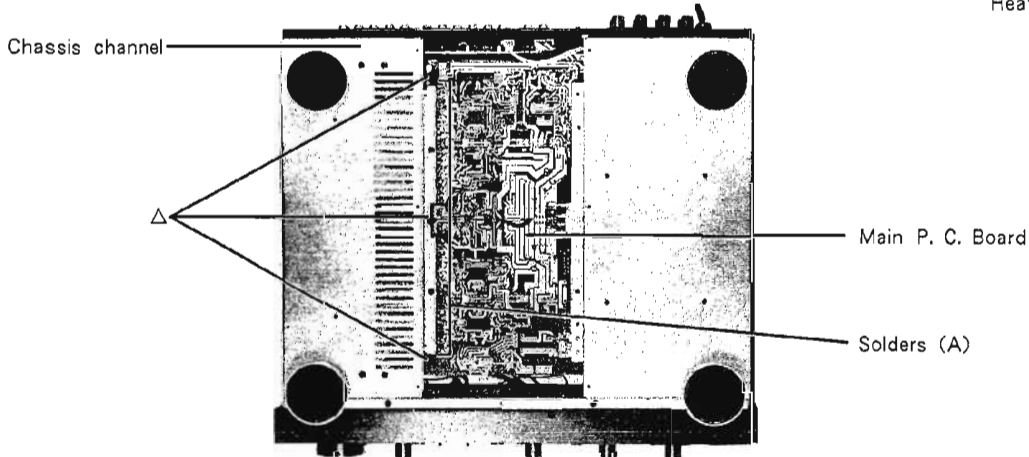


Figure 4

**Adjustment Procedures**

**1. Connections**

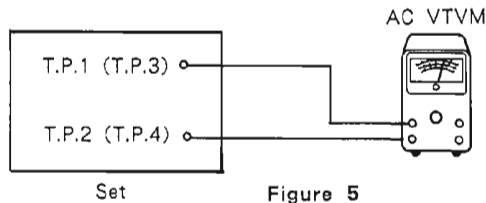


Figure 5

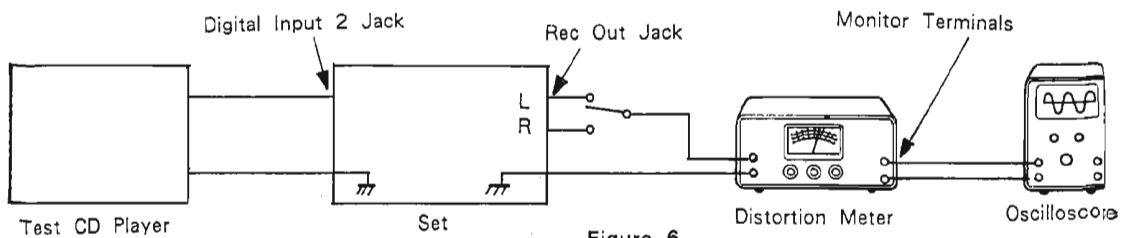


Figure 6

2. Control Settings

Power Switch .....ON  
 Speaker Switch ..... A Position  
 Others .....OFF

Digital In 2/3 Selector Switch ..... 2 (COAX)  
 Volume Control ..... Minimum  
 Treble/Bass/Balance Control ..... Center

3. Adjustment Procedures

(1) Idling Adjustment (Figure 5, Connections)

1. Set VR7501 (VR7502) to minimum.
2. Adjust VR7501 (VR7502) so that voltage between T.P.1 (T.P.3) and T.P.2 (T.P.4) reaches  $10 \pm 3mV$ .

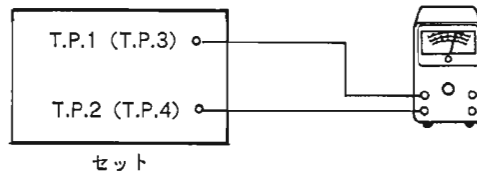
(2) DAC Distortion Adjustment (Figure 6, Connections)

1. Set the digital direct switch to the ON position.
2. Apply 1kHz, 2V input signal.
3. Adjust VR2101 so that distortion is minimum.

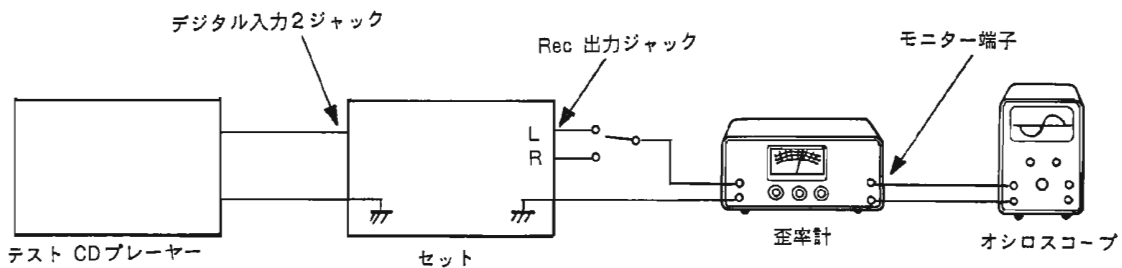
Note: Proceed the adjustment shown above about a minute after power is turned on.

調整箇所

1. 接続



<5図>



<6図>

2. コントロール類のセット位置

電源スイッチ .....ON  
 スピーカー・スイッチ ..... A位置  
 他のスイッチ類 .....OFF

デジタル入力 2/3セレクター・スイッチ ...2 (COAX)  
 ボリューム調整ツマミ .....最小  
 トレブル/バス/バランス調整ツマミ .....中央

3. 調整方法

(1) アイドリング調整 (接続、5図)

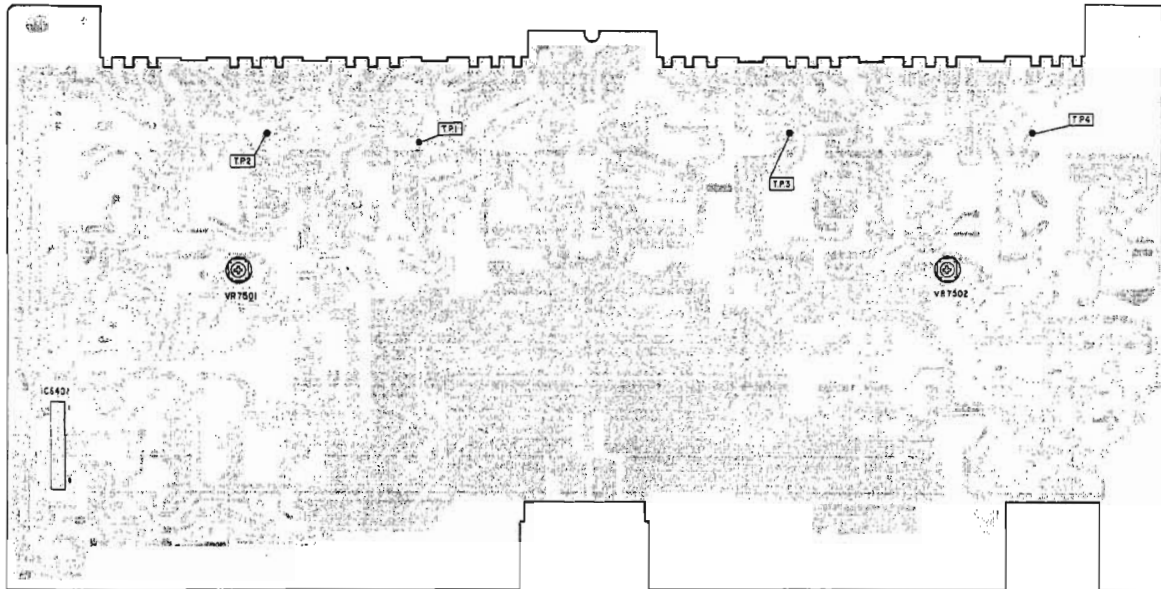
1. VR7501 (VR7502) を最小にセットします。
2. T.P.1 (T.P.3)、T.P.2 (T.P.4) 間の電圧が  $10 \pm 3mV$  になるように VR7501 (VR7502) で調整します。

注意: 電源 ON 後約 1 分ぐらいたってから上記の調整を行います。

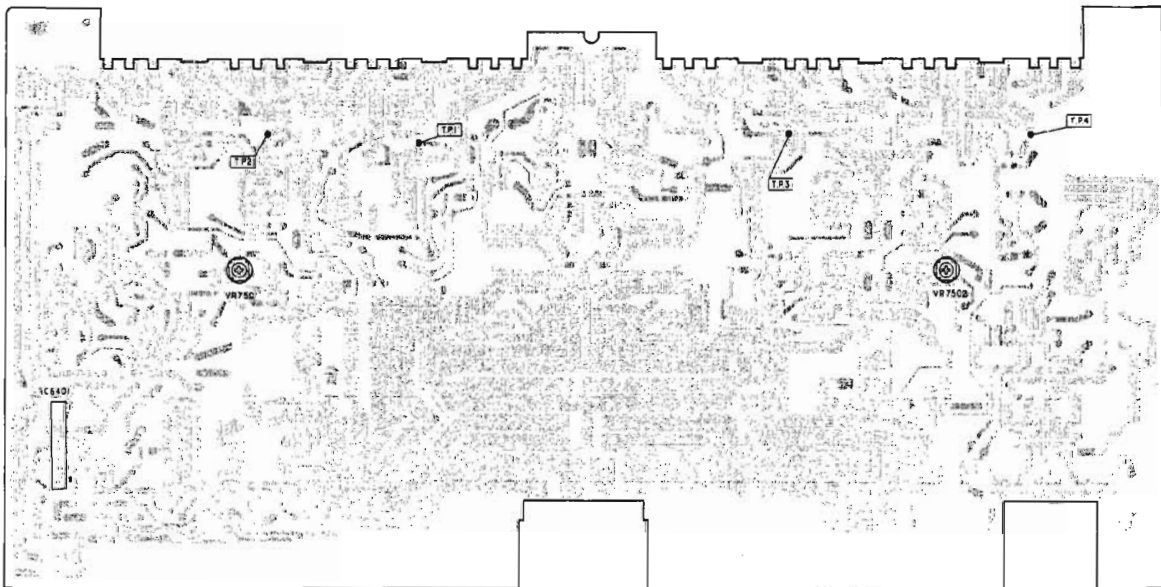
(2) DAC 歪率調整 (接続、6図)

1. デジタル・ダイレクトスイッチを ON 側にします。
2. 1kHz、2V の入力信号を加えます。
3. 歪率が最小になるように VR2101 で調整します。

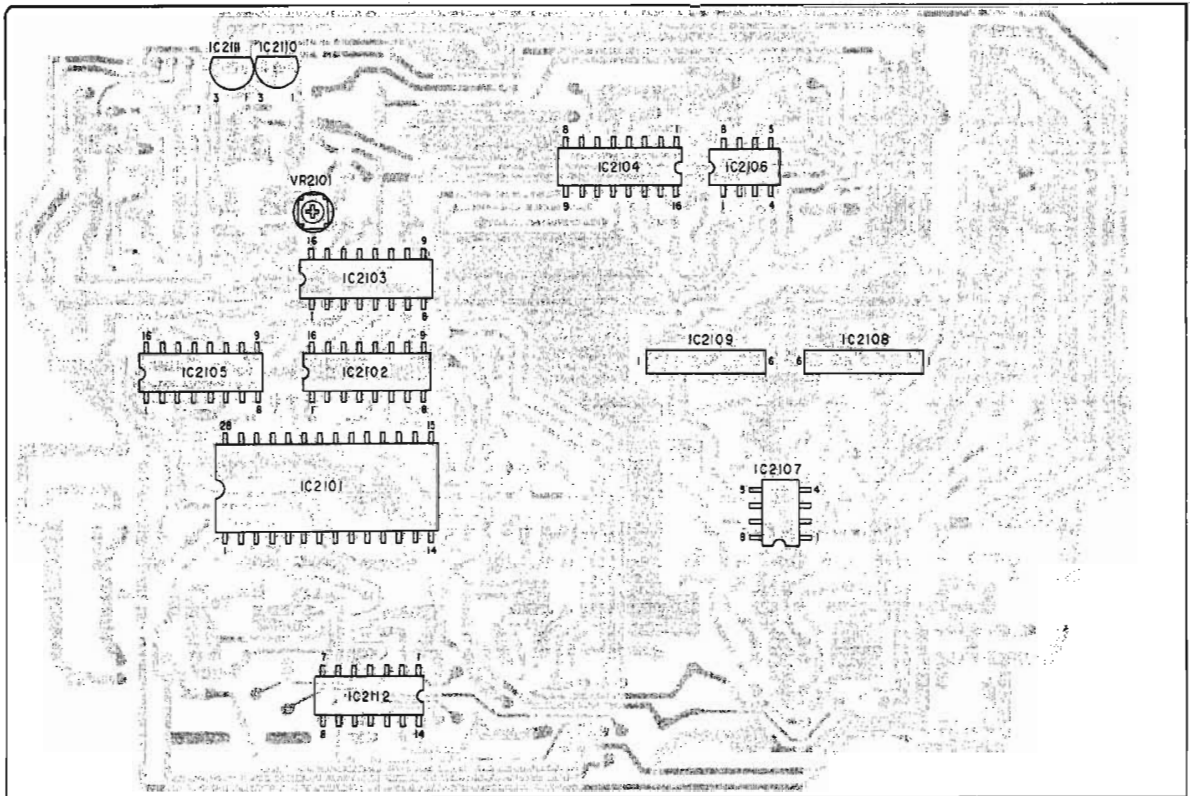
## Adjustment Locations



Main P. C. Board (UQ and UZ model only)

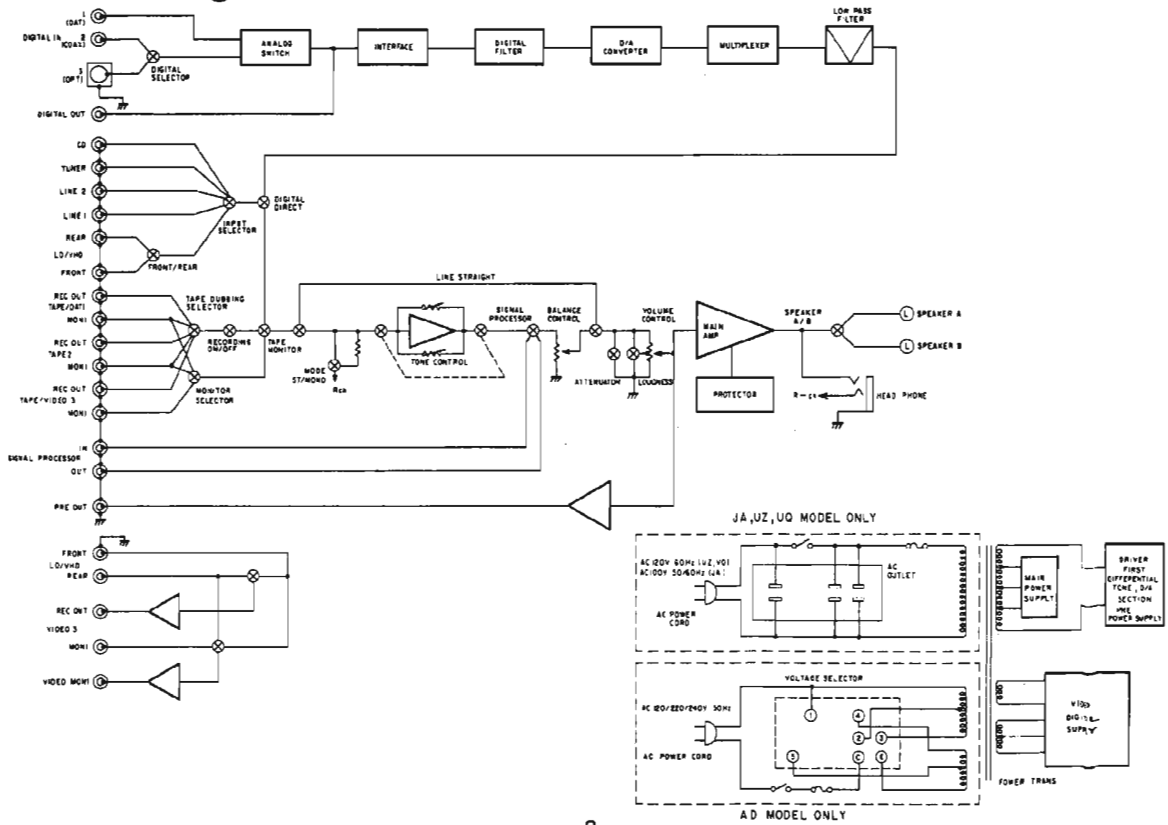


Main P. C. Board (AD and JA model only)



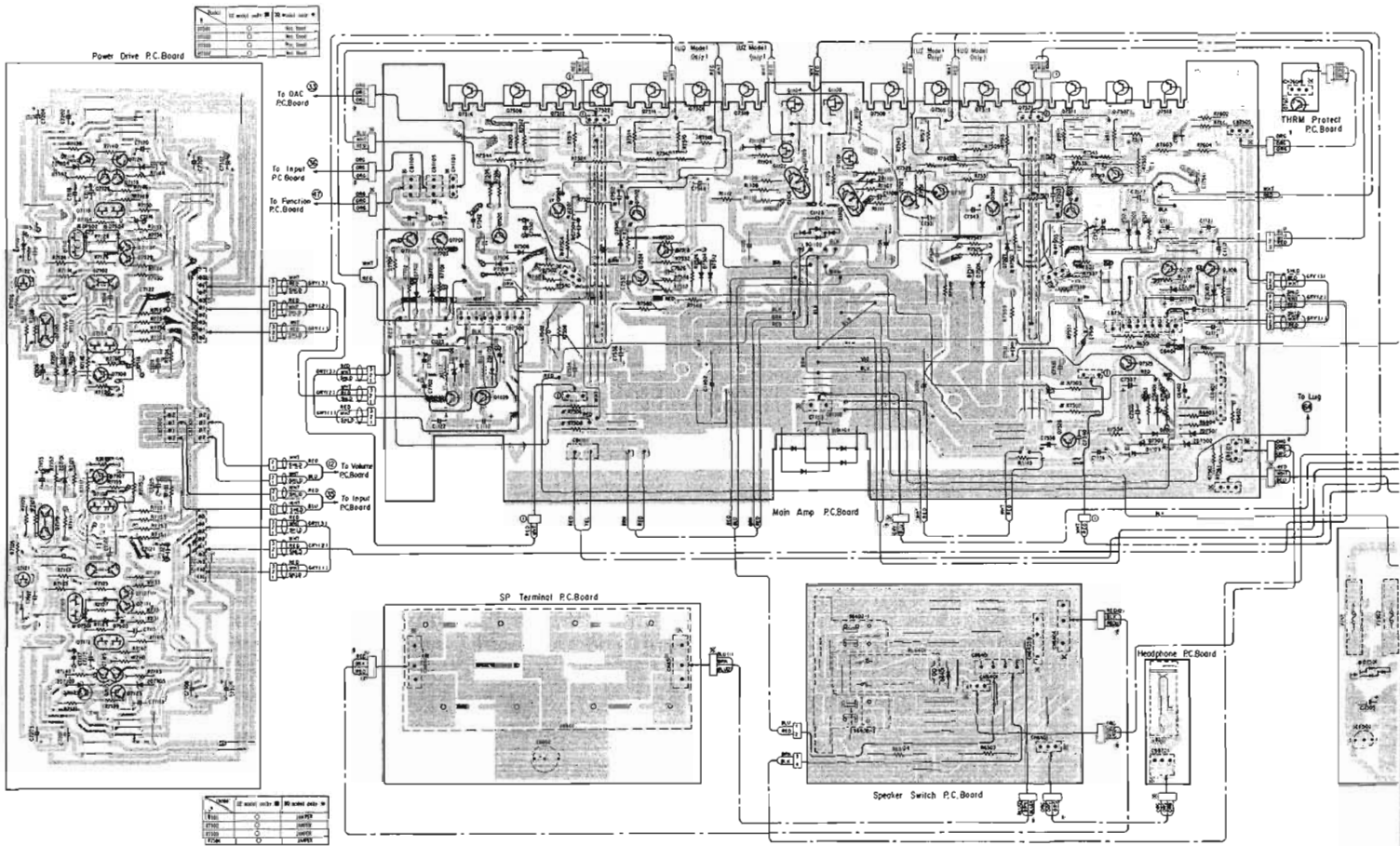
DAC P. C. Board

### Block Diagram

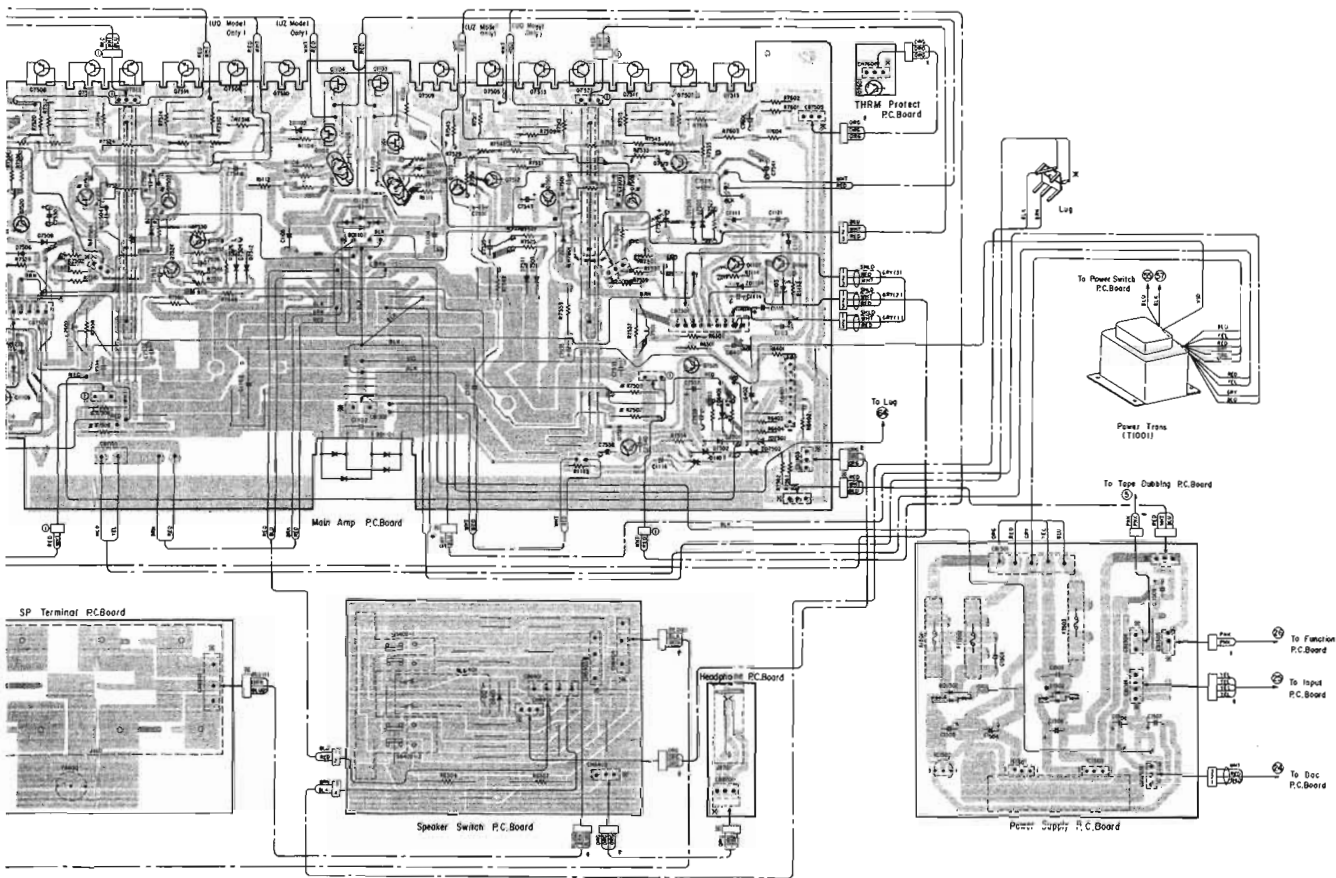




Parts Layout on P.C. Boards and Wiring Diagram (UQ and UZ model only 1/3)

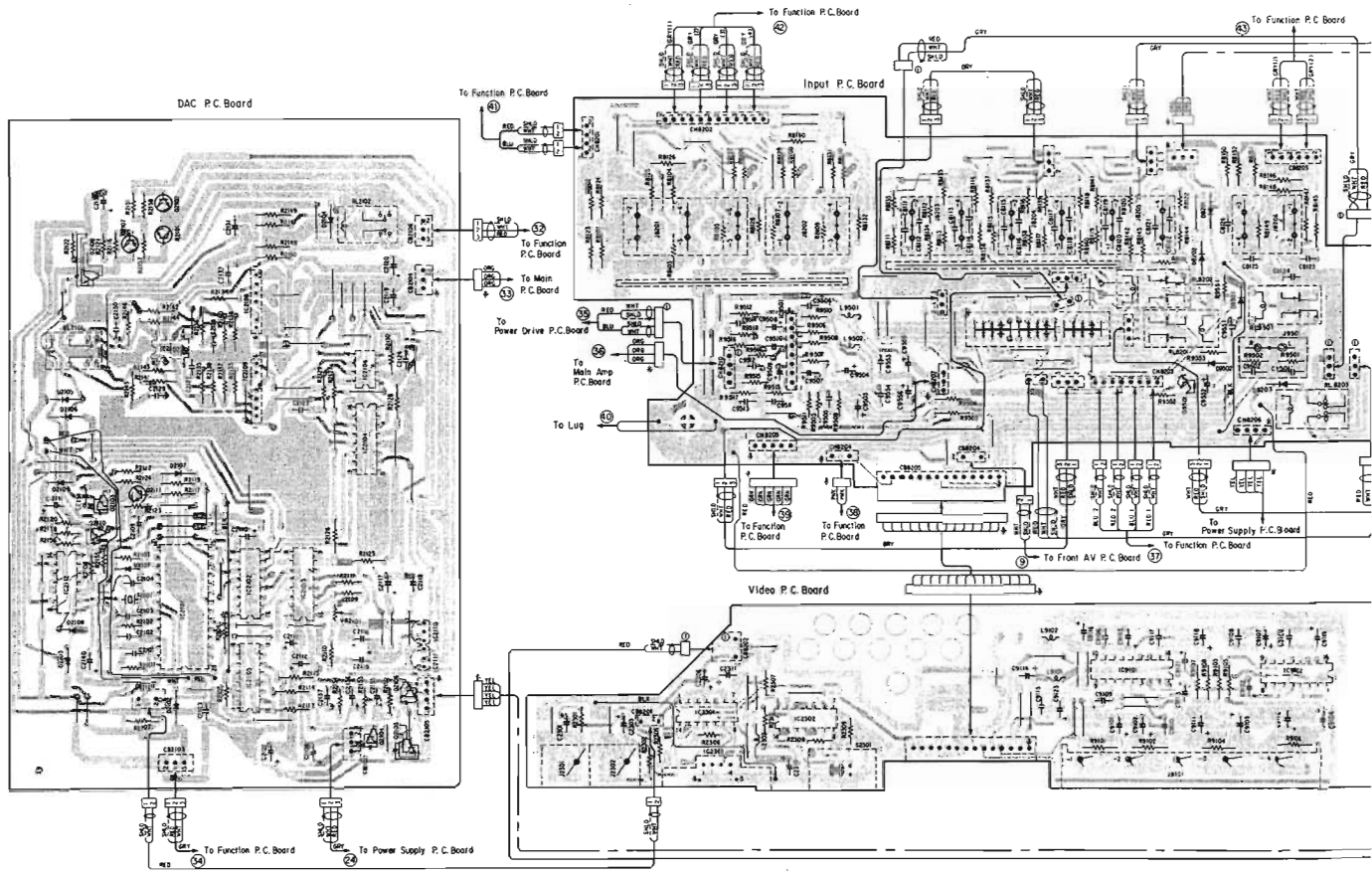


m (UQ and UZ model only 1/3)

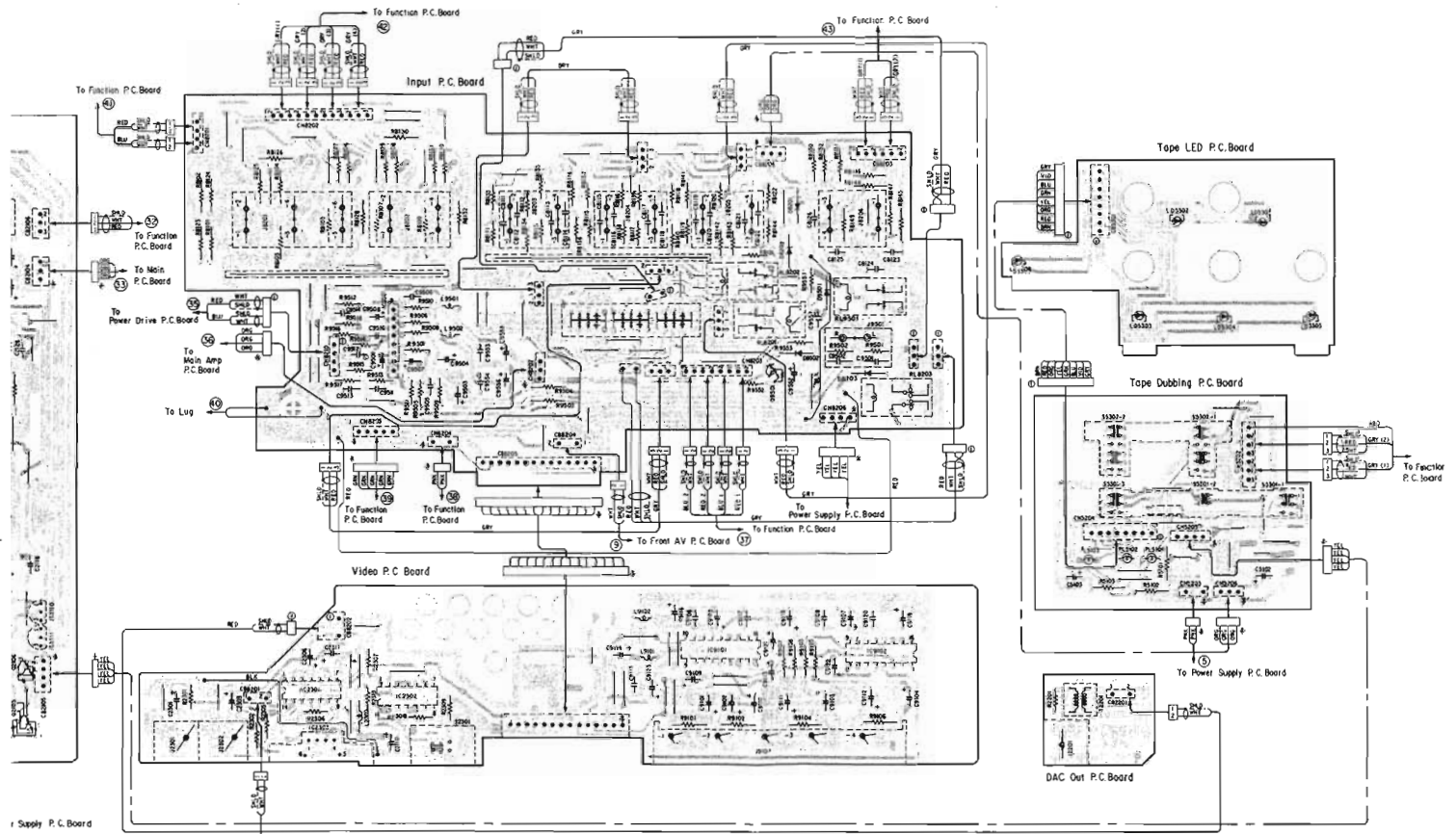


BLU	.....	Blue
GRN	.....	Green
BLK	.....	Black
WHT	.....	White
RED	.....	Red
ORG	.....	Orange
BRN	.....	Brown
YEL	.....	Yellow
VIO	.....	Violet
GRN/WHT	.....	Green/White
GRY/WHT	.....	Grey/White
GRY/YEL	.....	Grey/Yellow
SHLD	.....	Shield

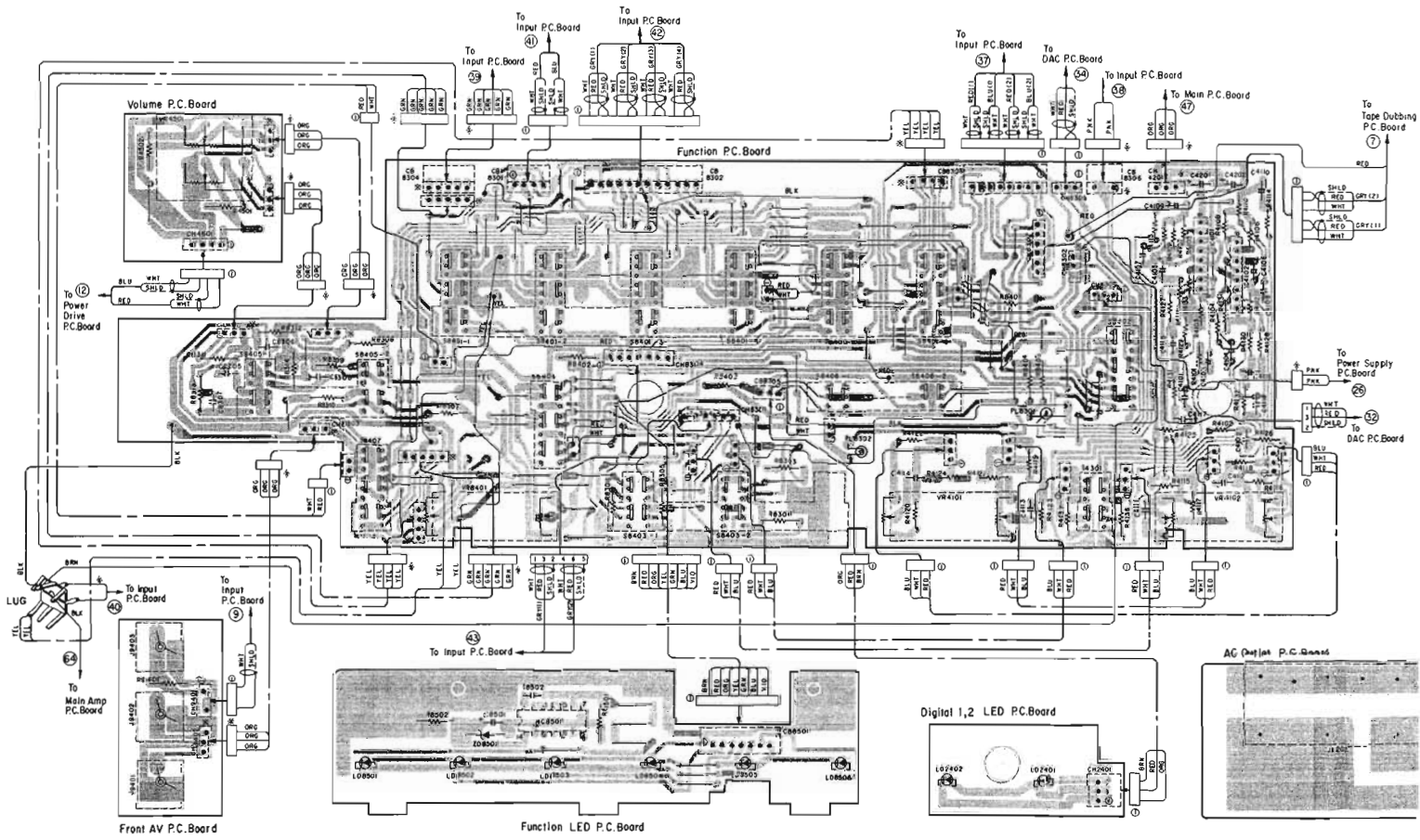
Parts Layout on P.C. Boards and Wiring Diagram (UO and UZ model only 2/3)



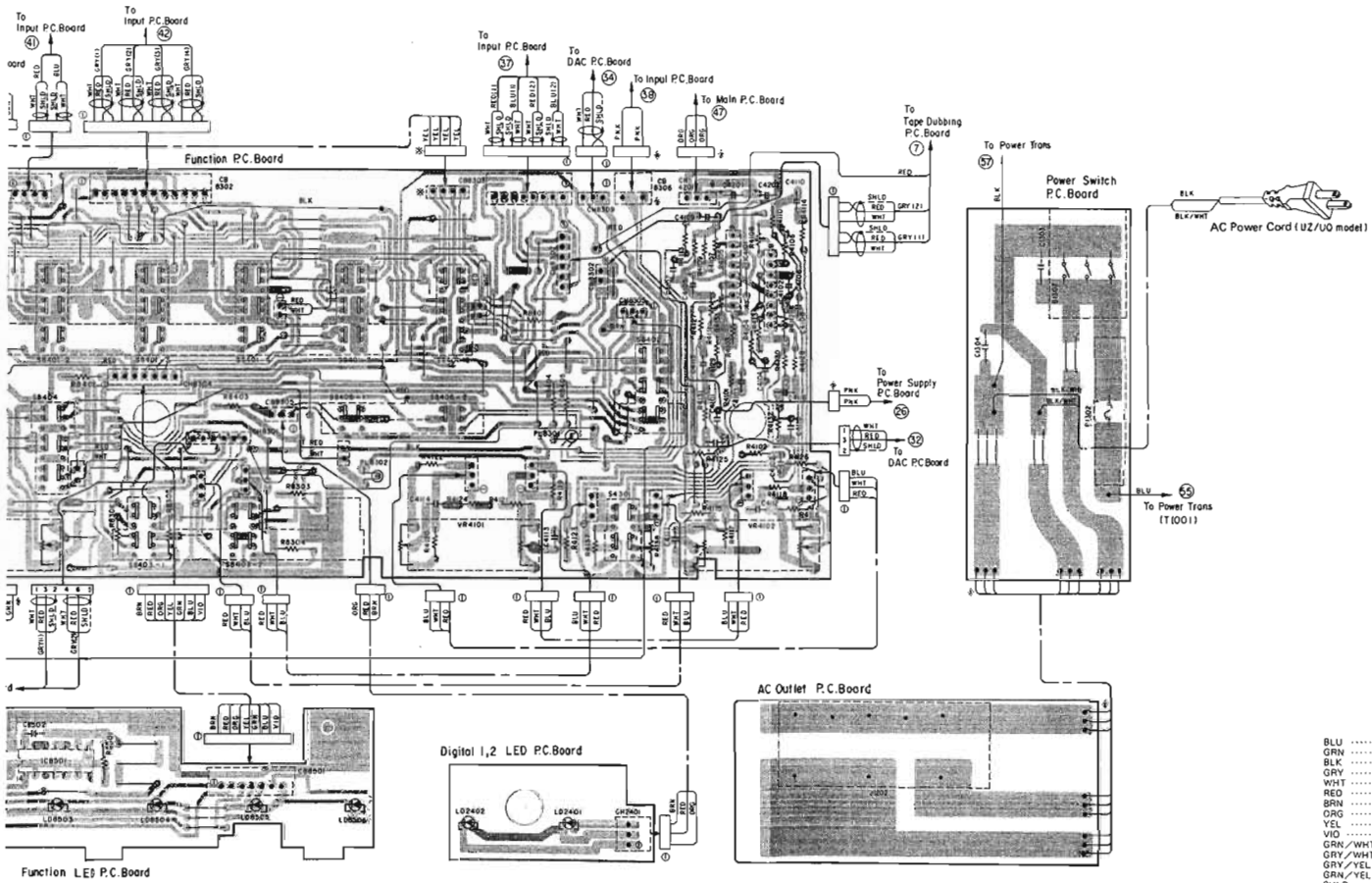
am (UQ and UZ model only 2/3)



Parts Layout on P.C. Boards and Wiring Diagram (UQ and UZ model only 3/3)

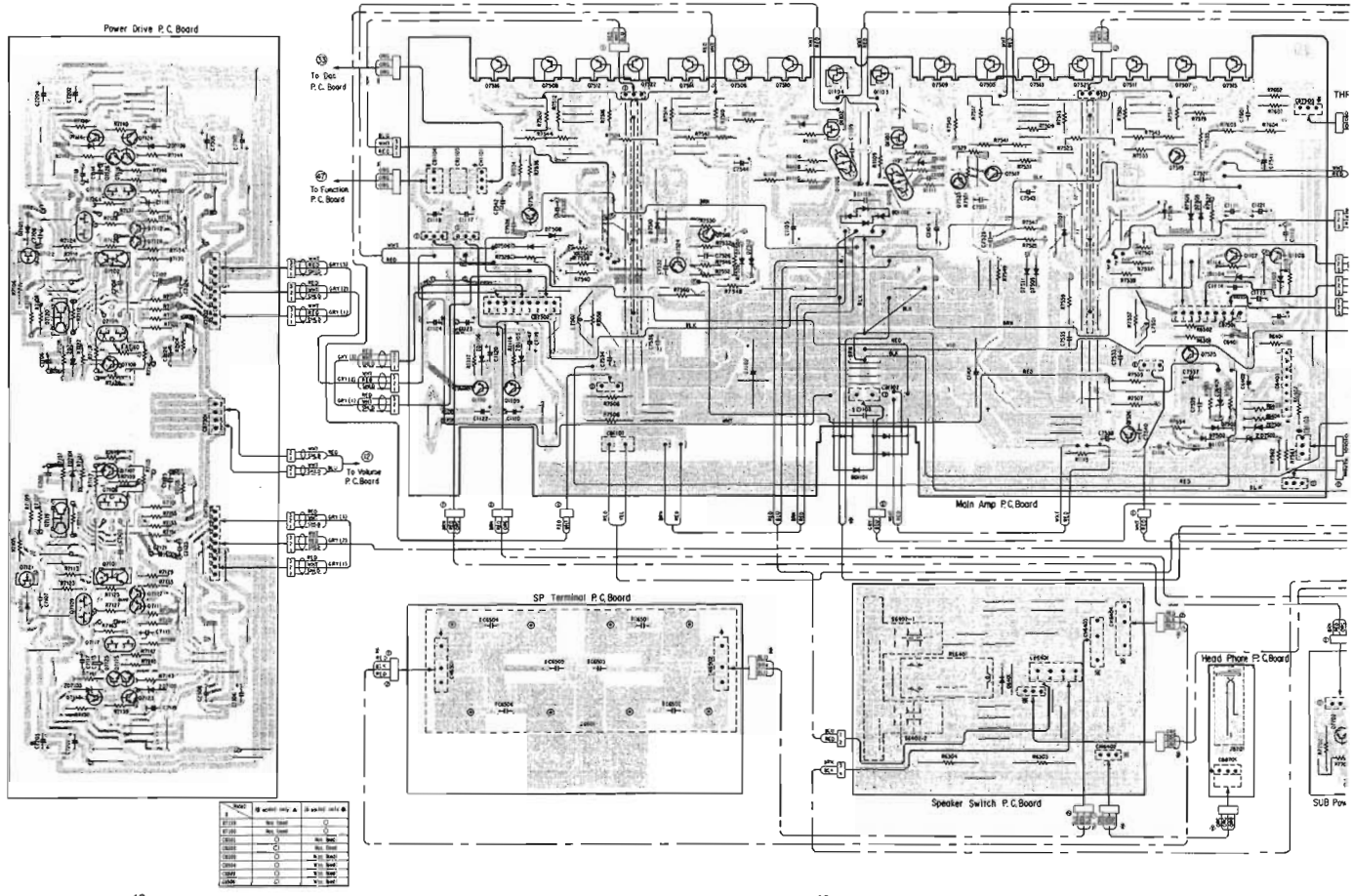


m (UQ and UZ model only 3/3)



BLU	.....	Blue
GRN	.....	Green
BLK	.....	Black
GRY	.....	Gray
WHT	.....	White
RED	.....	Red
BRN	.....	Brown
ORG	.....	Orange
YEL	.....	Yellow
VIO	.....	Violet
GRN/WHT	.....	Green/White
GRY/YEL	.....	Gray/Yellow
GRN/YEL	.....	Green/Yellow
SHLD	.....	Shield

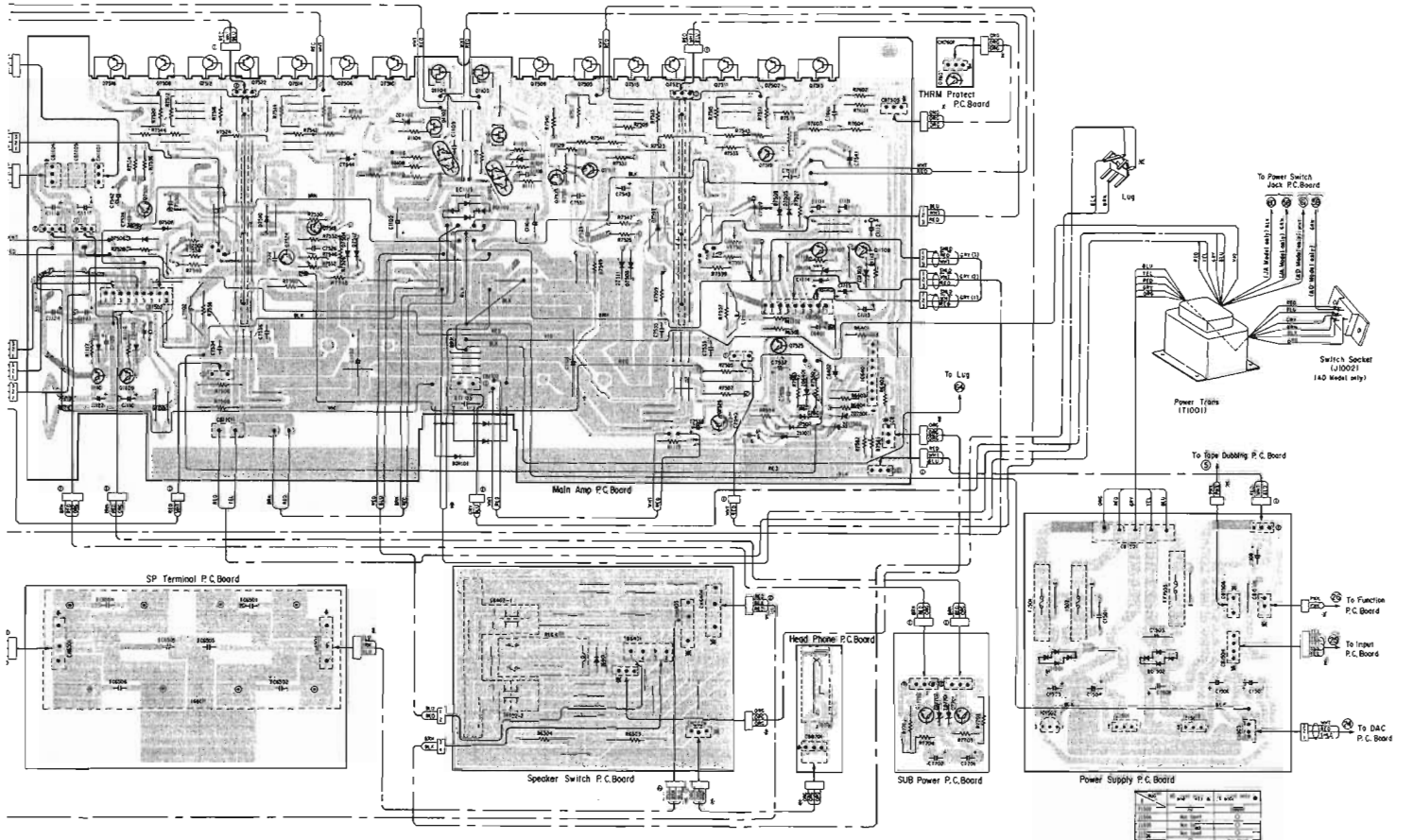
### Parts Layout on P.C. Boards and Wiring Diagram (AD and JA model only 1/3)



- BLU ..... Blue
- GRN ..... Green
- BLK ..... Black
- GRY ..... Gray
- WHT ..... White
- RED ..... Red
- BRN ..... Brown
- ORG ..... Orange
- YEL ..... Yellow
- VIO ..... Violet
- GRN/WHIT ..... Green/White
- GRY/WHIT ..... Gray/White
- GRY/YEL ..... Gray/Yellow
- GRN/YEL ..... Green/Yellow
- SHLD ..... Shield

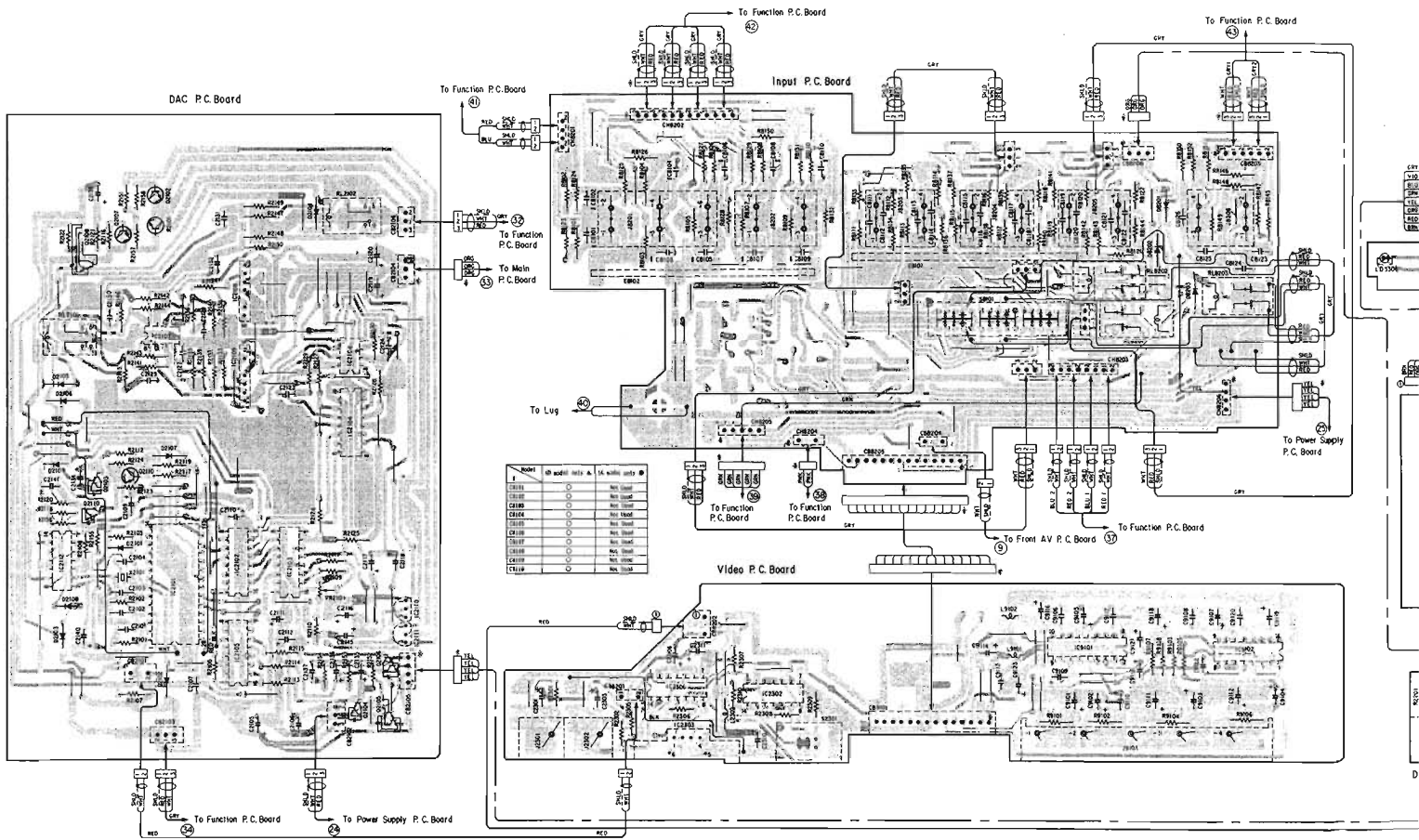
Color	Wiring	Wiring	Wiring
Blue	100K	100K	100K
Green	100K	100K	100K
Black	100K	100K	100K
Gray	100K	100K	100K
White	100K	100K	100K
Red	100K	100K	100K
Brown	100K	100K	100K
Orange	100K	100K	100K
Yellow	100K	100K	100K
Violet	100K	100K	100K
Green/White	100K	100K	100K
Gray/White	100K	100K	100K
Gray/Yellow	100K	100K	100K
Green/Yellow	100K	100K	100K
Shield	100K	100K	100K

am (AD and JA model only 1/3)

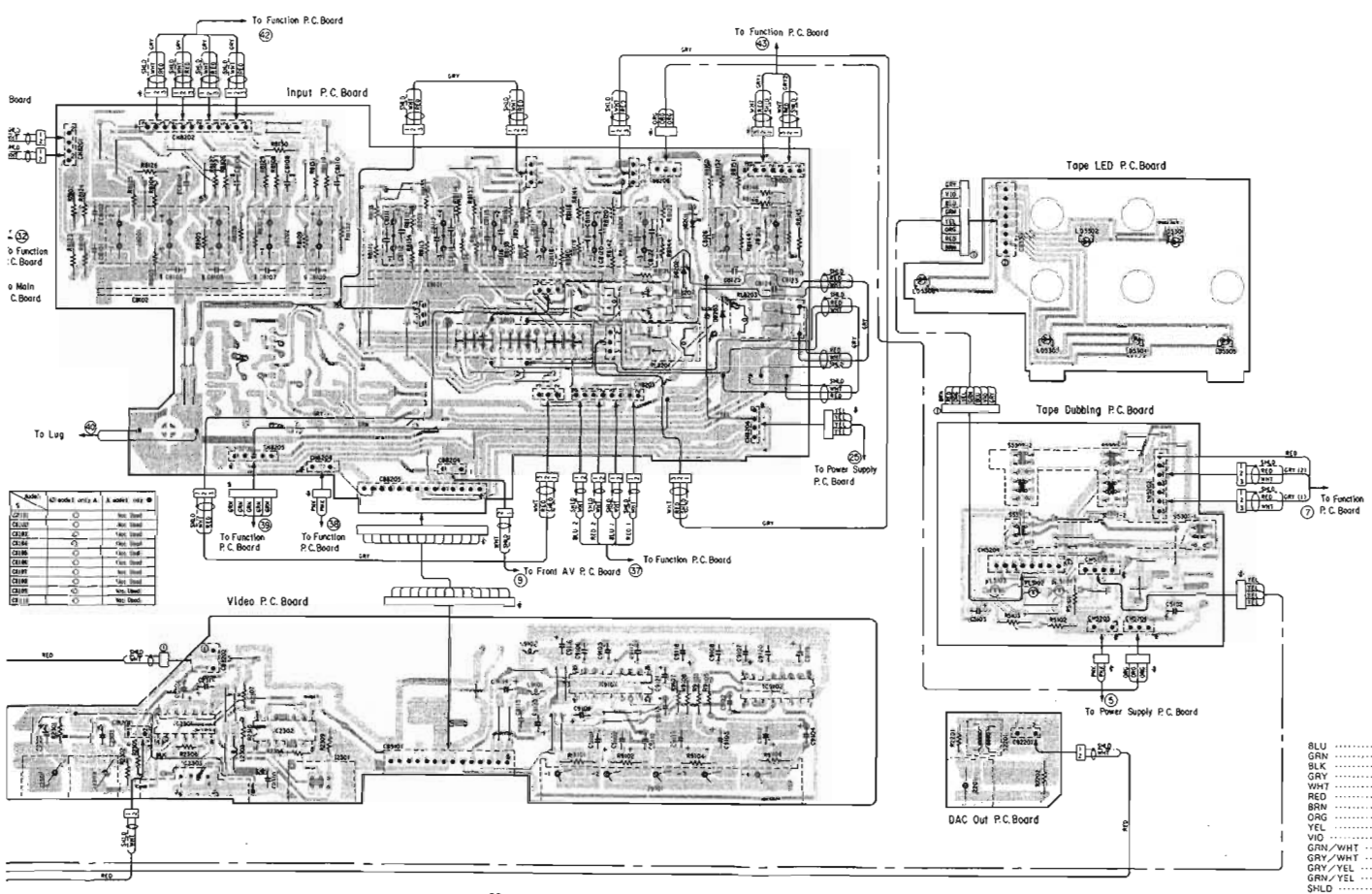




**Parts Layout on P.C. Boards and Wiring Diagram (AD and JA model only 2/3)**



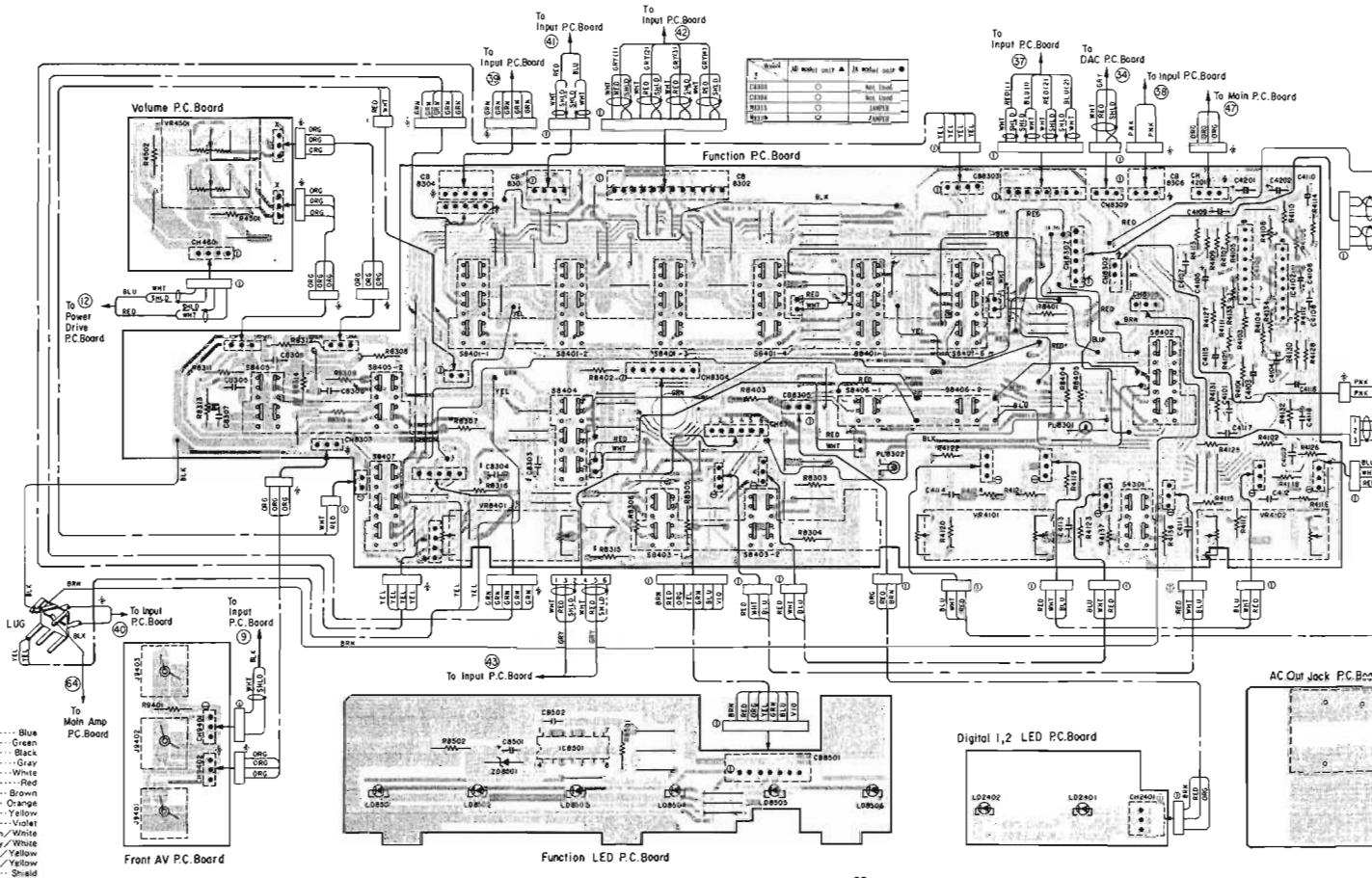
m (AD and JA model only 2/3)



Pin	Color	Board
1	BLU	Function P.C. Board
2	GRN	Function P.C. Board
3	SLK	Function P.C. Board
4	GRY	Function P.C. Board
5	WHT	Function P.C. Board
6	RED	Function P.C. Board
7	BRN	Function P.C. Board
8	ORG	Function P.C. Board
9	YEL	Function P.C. Board
10	VID	Function P.C. Board
11	GRN/WHI	Function P.C. Board
12	GRY/WHI	Function P.C. Board
13	GRY/YEL	Function P.C. Board
14	GRN/YEL	Function P.C. Board
15	SHLD	Function P.C. Board

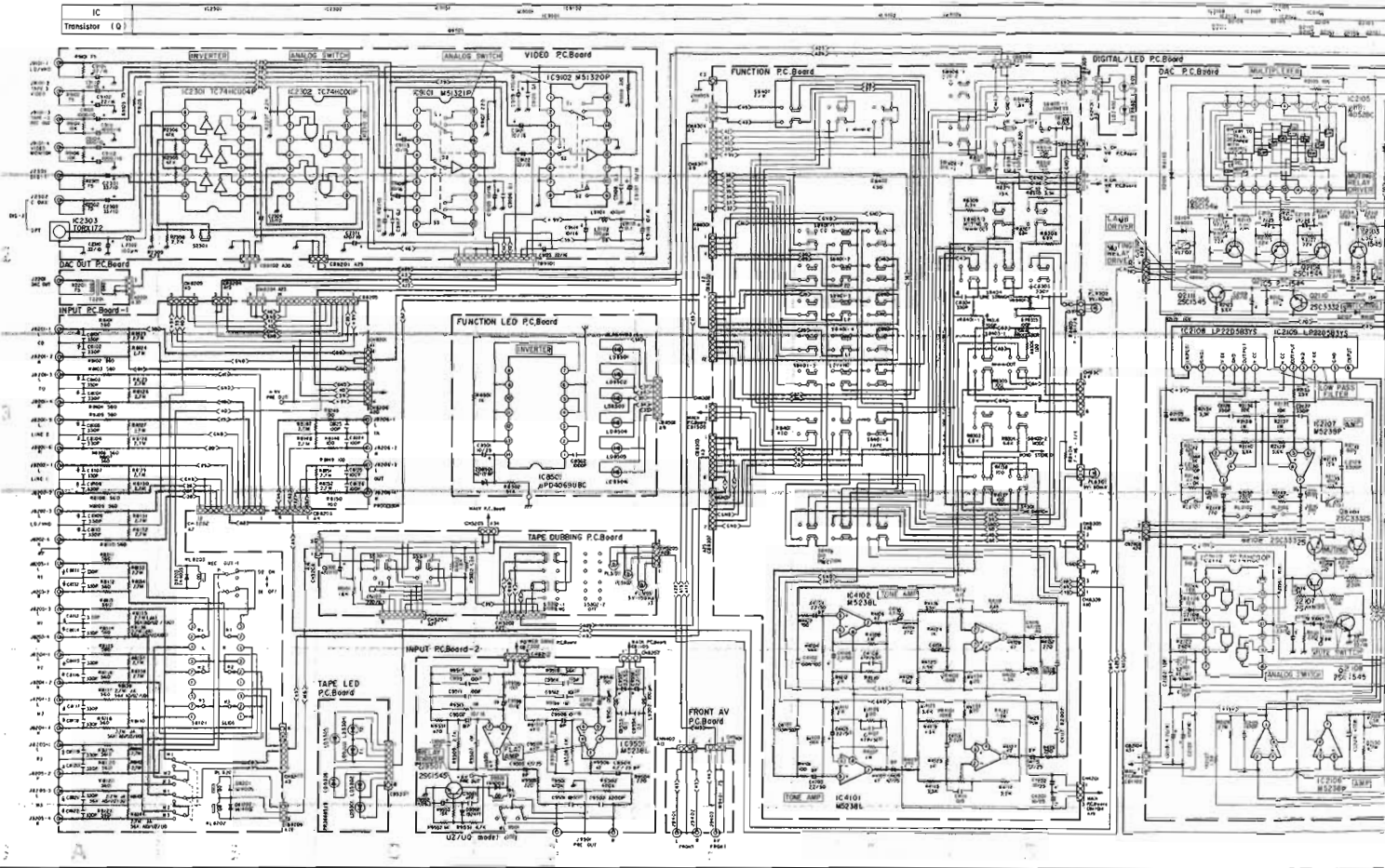
BLU	Blue
GRN	Green
SLK	Black
GRY	Gray
WHT	White
RED	Red
BRN	Brown
ORG	Orange
YEL	Yellow
VID	Violet
GRN/WHI	Green/White
GRY/WHI	Gray/White
GRY/YEL	Gray/Yellow
GRN/YEL	Green/Yellow
SHLD	Shield

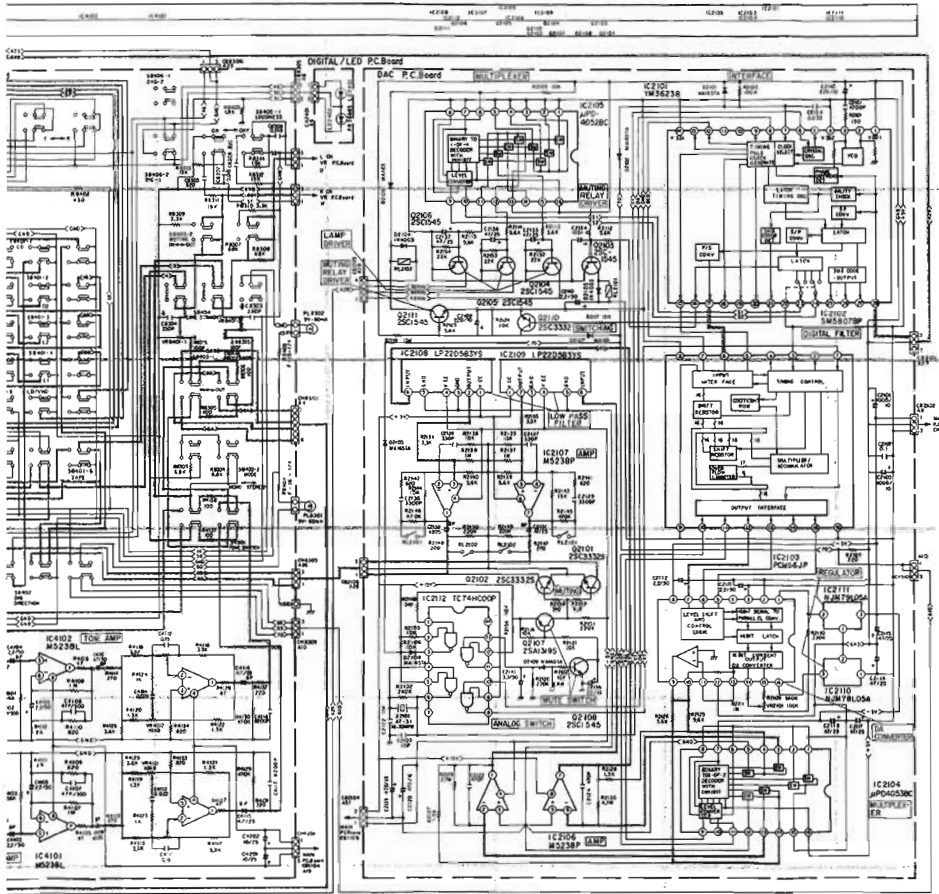
Parts Layout on P.C. Boards and Wiring Diagram (AD and JA model only 3/3)





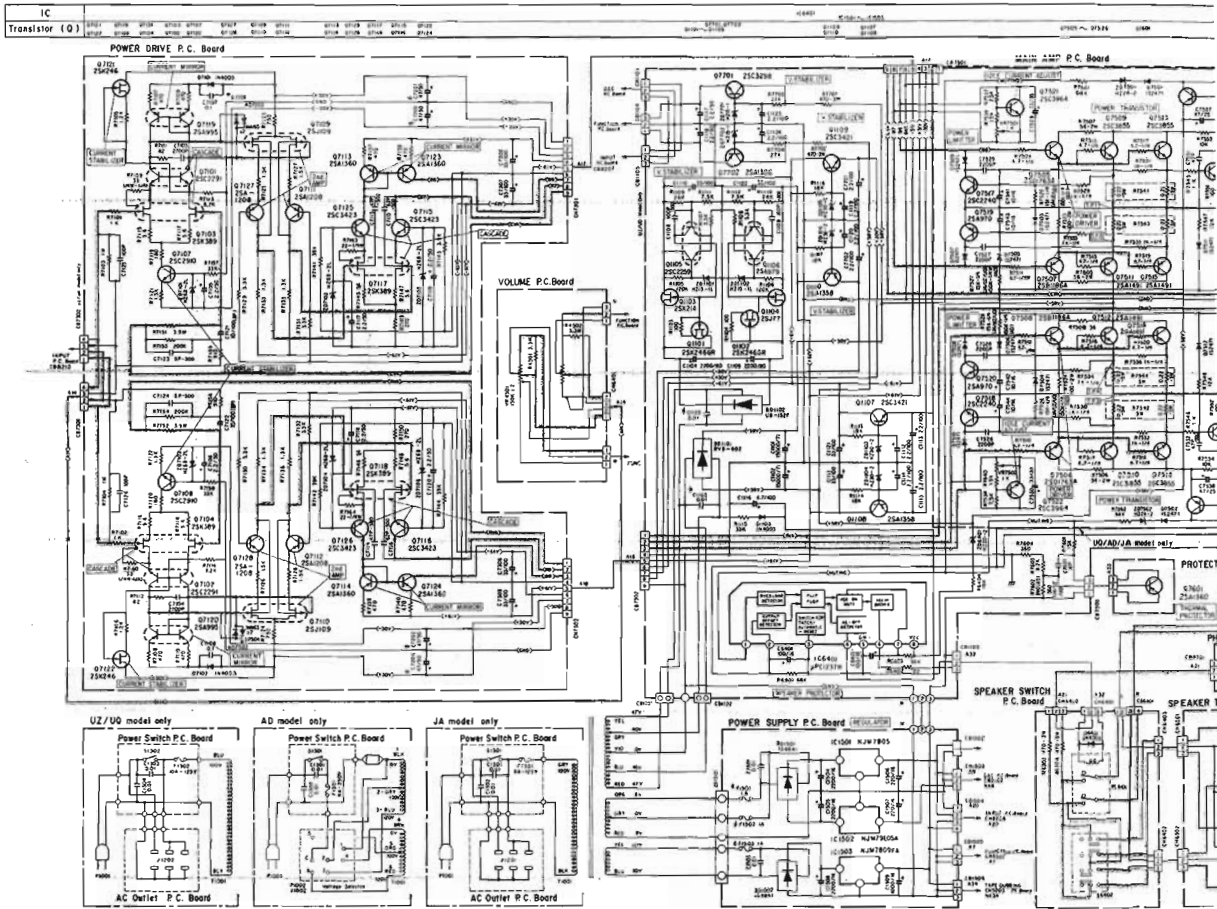
Schematic Diagram (1/2)





IC	Part No.	QTY	Notes
IC2105	74185	1	
IC2106	74187	1	
IC2107	74188	1	
IC2108	74189	1	
IC2109	74190	1	
IC2110	74191	1	
IC2111	74192	1	
IC2112	74193	1	
IC2113	74194	1	
IC2114	74195	1	
IC2115	74196	1	
IC2116	74197	1	
IC2117	74198	1	
IC2118	74199	1	
IC2119	74200	1	
IC2120	74201	1	
IC2121	74202	1	
IC2122	74203	1	
IC2123	74204	1	
IC2124	74205	1	
IC2125	74206	1	
IC2126	74207	1	
IC2127	74208	1	
IC2128	74209	1	
IC2129	74210	1	
IC2130	74211	1	
IC2131	74212	1	
IC2132	74213	1	
IC2133	74214	1	
IC2134	74215	1	
IC2135	74216	1	
IC2136	74217	1	
IC2137	74218	1	
IC2138	74219	1	
IC2139	74220	1	
IC2140	74221	1	
IC2141	74222	1	
IC2142	74223	1	
IC2143	74224	1	
IC2144	74225	1	
IC2145	74226	1	
IC2146	74227	1	
IC2147	74228	1	
IC2148	74229	1	
IC2149	74230	1	
IC2150	74231	1	
IC2151	74232	1	
IC2152	74233	1	
IC2153	74234	1	
IC2154	74235	1	
IC2155	74236	1	
IC2156	74237	1	
IC2157	74238	1	
IC2158	74239	1	
IC2159	74240	1	
IC2160	74241	1	
IC2161	74242	1	
IC2162	74243	1	
IC2163	74244	1	
IC2164	74245	1	
IC2165	74246	1	
IC2166	74247	1	
IC2167	74248	1	
IC2168	74249	1	
IC2169	74250	1	
IC2170	74251	1	
IC2171	74252	1	
IC2172	74253	1	
IC2173	74254	1	
IC2174	74255	1	
IC2175	74256	1	
IC2176	74257	1	
IC2177	74258	1	
IC2178	74259	1	
IC2179	74260	1	
IC2180	74261	1	
IC2181	74262	1	
IC2182	74263	1	
IC2183	74264	1	
IC2184	74265	1	
IC2185	74266	1	
IC2186	74267	1	
IC2187	74268	1	
IC2188	74269	1	
IC2189	74270	1	
IC2190	74271	1	
IC2191	74272	1	
IC2192	74273	1	
IC2193	74274	1	
IC2194	74275	1	
IC2195	74276	1	
IC2196	74277	1	
IC2197	74278	1	
IC2198	74279	1	
IC2199	74280	1	
IC2200	74281	1	
IC2201	74282	1	
IC2202	74283	1	
IC2203	74284	1	
IC2204	74285	1	
IC2205	74286	1	
IC2206	74287	1	
IC2207	74288	1	
IC2208	74289	1	
IC2209	74290	1	
IC2210	74291	1	
IC2211	74292	1	
IC2212	74293	1	
IC2213	74294	1	
IC2214	74295	1	
IC2215	74296	1	
IC2216	74297	1	
IC2217	74298	1	
IC2218	74299	1	
IC2219	74300	1	
IC2220	74301	1	
IC2221	74302	1	
IC2222	74303	1	
IC2223	74304	1	
IC2224	74305	1	
IC2225	74306	1	
IC2226	74307	1	
IC2227	74308	1	
IC2228	74309	1	
IC2229	74310	1	
IC2230	74311	1	
IC2231	74312	1	
IC2232	74313	1	
IC2233	74314	1	
IC2234	74315	1	
IC2235	74316	1	
IC2236	74317	1	
IC2237	74318	1	
IC2238	74319	1	
IC2239	74320	1	
IC2240	74321	1	
IC2241	74322	1	
IC2242	74323	1	
IC2243	74324	1	
IC2244	74325	1	
IC2245	74326	1	
IC2246	74327	1	
IC2247	74328	1	
IC2248	74329	1	
IC2249	74330	1	
IC2250	74331	1	
IC2251	74332	1	
IC2252	74333	1	
IC2253	74334	1	
IC2254	74335	1	
IC2255	74336	1	
IC2256	74337	1	
IC2257	74338	1	
IC2258	74339	1	
IC2259	74340	1	
IC2260	74341	1	
IC2261	74342	1	
IC2262	74343	1	
IC2263	74344	1	
IC2264	74345	1	
IC2265	74346	1	
IC2266	74347	1	
IC2267	74348	1	
IC2268	74349	1	
IC2269	74350	1	
IC2270	74351	1	
IC2271	74352	1	
IC2272	74353	1	
IC2273	74354	1	
IC2274	74355	1	
IC2275	74356	1	
IC2276	74357	1	
IC2277	74358	1	
IC2278	74359	1	
IC2279	74360	1	
IC2280	74361	1	
IC2281	74362	1	
IC2282	74363	1	
IC2283	74364	1	
IC2284	74365	1	
IC2285	74366	1	
IC2286	74367	1	
IC2287	74368	1	
IC2288	74369	1	
IC2289	74370	1	
IC2290	74371	1	
IC2291	74372	1	
IC2292	74373	1	
IC2293	74374	1	
IC2294	74375	1	
IC2295	74376	1	
IC2296	74377	1	
IC2297	74378	1	
IC2298	74379	1	
IC2299	74380	1	
IC2300	74381	1	
IC2301	74382	1	
IC2302	74383	1	
IC2303	74384	1	
IC2304	74385	1	
IC2305	74386	1	
IC2306	74387	1	
IC2307	74388	1	
IC2308	74389	1	
IC2309	74390	1	
IC2310	74391	1	
IC2311	74392	1	
IC2312	74393	1	
IC2313	74394	1	
IC2314	74395	1	
IC2315	74396	1	
IC2316	74397	1	
IC2317	74398	1	
IC2318	74399	1	
IC2319	74400	1	
IC2320	74401	1	
IC2321	74402	1	
IC2322	74403	1	
IC2323	74404	1	
IC2324	74405	1	
IC2325	74406	1	
IC2326	74407	1	
IC2327	74408	1	
IC2328	74409	1	
IC2329	74410	1	
IC2330	74411	1	
IC2331	74412	1	
IC2332	74413	1	
IC2333	74414	1	
IC2334	74415	1	
IC2335	74416	1	
IC2336	74417	1	
IC2337	74418	1	
IC2338	74419	1	
IC2339	74420	1	
IC2340	74421	1	
IC2341	74422	1	
IC2342	74423	1	
IC2343	74424	1	
IC2344	74425	1	

Schematic Diagram (2/2)







# Electrical Parts List

Resistor: Carbon resistors under 1/4 watts are not mentioned in the parts list, please confirm them by schematic diagram.  
 uF = microfarads, pF = picofarads

Abbreviations			Symbol No.	Part No.	Description
RES. = Resistor	CAP. = Capacitor		<b>Diodes</b> D1103 48S40477U01 IN4003 D7501 48T68764F01 1S2471 D7502 48T68764F01 1S2471 D7503 48T68764F01 1S2471 D7504 48T68764F01 1S2471 D7505 48T68764F01 1S2471 D7506 48T68764F01 1S2471 D7507 48T68764F01 1S2471 D7508 48T68764F01 1S2471 D7509 48T68764F01 1S2471 D7510 48T68764F01 1S2471 D7511 48T68764F01 1S2471 D7512 48T68764F01 1S2471 ZD1101 48T52741F46 Zener, HZ15-1L ZD1102 48T52741F46 Zener, HZ15-1L ZD1103 48T52739F98 Zener, HZ30-2 ZD1104 48T52739F98 Zener, HZ30-2 ZD1105 48T52739F98 Zener, HZ30-2 ZD1106 48T52739F98 Zener, HZ30-2 ZD6401 48T52739F86 Zener, HZ20-2 ZD7501 48T52739F92 Zener, HZ24-2 ZD7502 48T52739F92 Zener, HZ24-2 ■ ZD7701 48T52739F76 Zener, HZ15-1 ★ ZD7701 48T52739F76 Zener, HZ15-1 ■ ZD7702 48T52739F76 Zener, HZ15-1 ★ ZD7702 48T52739F76 Zener, HZ15-1 BD1102 48T62282F02 UB-152F		
C.F. = Carbon Film	ELY. = Electrolytic				
M.F. = Metal Film	CER. = Ceramic				
M.O. = Metal Oxide Film	MYL. = Mylar				
M.P. = Metal Plate	TAN. = Tantalum				
TR. = Transistor	POLY. = Polystyrol				
TRANS. = Transformer	PP. = Polypropylene				
CP. = Chip	PLT. = Polyethylene				
Symbol No.	Part No.	Description			
Main Amp P. C. Board					
IC					
IC6401	51T60527F01	μ PC1237H			
Transistors					
Q1101	48T66948F03	FET, 2SK246			
Q1102	48T66948F03	FET, 2SK246			
Q1105	48T71942F01	2SC2259			
Q1106	48T53430F01	2SA979			
Q1107	48T69176F01	2SC3421			
Q1108	48T69177F01	2SA1358			
Q1109	48T69176F01	2SC3421			
Q1110	48T69177F01	2SA1358			
■ Q7501	48T90759F02	2SD1563A			
■ Q7502	48T90759F02	2SD1563A			
■ Q7503	48T90758F02	2SB1086A			
■ Q7504	48T90758F02	2SB1086A			
Q7517	48T53301F01	2SC2240			
Q7518	48T53301F01	2SC2240			
Q7519	48T52545F01	2SA970			
Q7520	48T52545F01	2SA970			
Q7523	48T82195F01	2SC3332S			
Q7524	48T82195F01	2SC3332S			
Q7525	48T82194F01	2SA1319S			
Q7526	48T82194F01	2SA1319S			
■ Q7701	48T60555F01	2SC3298			
★ Q7701	48T60555F01	2SC3298			
■ Q7702	48T60556F01	2SA1306			
★ Q7702	48T60556F01	2SA1306			
Inductors					
L7501	24T74372F02	Coil, VERTI, 1 μ H			
L7502	24T74372F02	Coil, VERTI, 1 μ H			
Capacitors					
● C1101	23T93022F01	ELY., 15000 μ F/71V			
■ C1101	23T83858F01	ELY., 15000 μ F/71V			
★ C1101	23T83858F01	ELY., 15000 μ F/71V			
▲ C1101	23T83858F01	ELY., 15000 μ F/71V			
● C1102	23T93022F01	ELY., 15000 μ F/71V			

Notes: ● : For Japanese model only (JA), ■ : For North American model only (UZ),  
 ★ : For Canadian model only (UQ), ▲ : For European model only (AD), Others : Common.



Symbol No.	Part No.	Description		
R7560	06T92254F01	M.F., 10 ohm 2W		
VR7501	18C41732G07	Variable, 1K ohm		
VR7502	18C41732G07	Variable, 1K ohm		
■ R7701	06T92255F41	M.F., 470 ohm 3W		
★ R7701	06T92255F41	M.F., 470 ohm 3W		
■ R7702	06T92255F41	M.F., 470 ohm 3W		
★ R7702	06T92255F41	M.F., 470 ohm 3W		
<b>Power Switch P. C. Board</b>				
Switches				
● S1301	40T92255F02	Push. SDLD (Power)		
▲ S1301	40T92255F02	Push SDLD (Power)		
■ S1302	40T92612F01	Push (Power)		
★ S1302	40T92612F01	Push (Power)		
Fuses				
● F1301	65T62673F08	FGT40, 8A-125V		
▲ F1301	65T42077U22	Semko, 4A-250V		
■ F1302	65T65292F01	10A-125V		
★ F1302	65T65292F01	10A-125V		
Capacitors				
● C1301	08T57437F09	CER., 0.01 $\mu$ F		
● C1302	08T57437F09	CER., 0.01 $\mu$ F		
■ C1303	08T57437F09	CER., 0.01 $\mu$ F		
★ C1303	08T57437F09	CER., 0.01 $\mu$ F		
■ C1304	08T57437F09	CER., 0.01 $\mu$ F		
★ C1304	08T57437F09	CER., 0.01 $\mu$ F		
<b>Power Supply P. C. Board</b>				
IC				
IC1501	51T80338F01	NJM7805		
IC1502	51T67538F01	NJM79L05A		
IC1503	51T83847F01	NJM7809FA		
Diodes				
BD1501	48T61415F03	Bridge, 1G4B41		
BD1502	48T61415F03	Bridge, 1G4B41		

Symbol No.	Part No.	Description		
Fuses				
▲ F1501	65T42077U16	Semko, 1A-250V		
■ F1501	65T66926F13	1A-125V		
★ F1501	65T66926F13	1A-125V		
▲ F1502	65T42077U16	Semko, 1A-250V		
■ F1502	65T66926F13	1A-125V		
★ F1502	65T66926F13	1A-125V		
▲ F1503	65T42077U16	Semko, 1A-250V		
■ F1503	65T66926F13	1A-125V		
★ F1503	65T66926F13	1A-125V		
Capacitors				
C1501	21T68834F01	CER., 0.01 $\mu$ F		
C1503	21T68834F01	CER., 0.01 $\mu$ F		
C1504	23T00149L30	ELY., 2200 $\mu$ F/16V		
C1505	23T00149L30	ELY., 2200 $\mu$ F/16V		
C1506	23T00149L26	ELY., 220 $\mu$ F/16V		
C1507	23T00149L26	ELY., 220 $\mu$ F/16V		
C1508	23T00149L30	ELY., 2200 $\mu$ F/16V		
C1509	23T00149L29	ELY., 1000 $\mu$ F/16V		
<b>DAC P. C. Board</b>				
IC's				
IC2101	51T91084F02	YM3623B		
IC2102	51T84724F02	SM5807 BP		
IC2103	51T80318F01	PCM56JP		
IC2104	51T67480F01	$\mu$ PD4053BC		
IC2105	51T72306F01	$\mu$ PD4052BC		
IC2106	51T80136F01	M5238P		
IC2107	51T80136F01	M5238P		
IC2108	51T92601F01	LP22D583YS		
IC2109	51T92601F01	LP22D583YS		
IC2110	51T61180F02	NJM78L05A		
IC2111	51T67538F01	NJM79L05A		
IC2112	51T83506F01	TC74HC00P		
Transistors				
Q2101	48T82195F01	2SC3332S		
Q2102	48T82195F01	2SC3332S		
Q2103	48T52508F01	2SC1545		
Q2104	48T52508F01	2SC1545		
Q2105	48T52508F01	2SC1545		

Notes : ● : For Japanese model only (JA), ■ : For North American model only (UZ),  
 ★ : For Canadian model only (UQ), ▲ : For European model only (AD), Others : Common.

Symbol No.	Part No.	Description		
Q2106	48T52508F01	2SC1545		
Q2107	48T82194F01	2SA1319S		
Q2108	48T52508F01	2SC1545		
Q2110	48T82195F01	2SC3332S		
Q2111	48T52508F01	2SC1545		
Diodes				
D2101	48T44813F01	MA165TA		
D2102	48T44813F01	MA165TA		
D2103	48T44813F01	MA165TA		
D2104	48S40477U01	IN4003		
D2105	48S40477U01	IN4003		
U2106	48T44813F01	MA165TA		
D2107	48T44813F01	MA165TA		
D2108	48T44813F01	MA165TA		
D2109	48T44813F01	MA165TA		
Relays/Crystal				
RL2101	80T68404F02	Relay, G5A 237P-5V		
RL2102	80T68404F02	Relay, G5A 237P-5V		
X2101	48T84727F01	16.93MHz		
Capacitors				
C2101	08T57851F32	T.F., 4700pF		
C2102	08T55260F13	CER., 10pF		
C2103	08T55260F13	CER., 10pF		
C2104	08T57851F07	T.F., 0.033 $\mu$ F		
C2105	23T00149L17	ELY., 1000 $\mu$ F/10V		
C2106	23T00149L17	ELY., 1000 $\mu$ F/10V		
C2107	08T57851F13	T.F., 0.1 $\mu$ F		
C2109	23T00149L14	ELY., 220 $\mu$ F/10V		
C2110	23T00149L53	ELY., 2.2 $\mu$ F/50V		
C2111	23T00149L53	ELY., 2.2 $\mu$ F/50V		
C2112	23T00149L53	ELY., 2.2 $\mu$ F/50V		
C2115	23T00149L35	ELY., 47 $\mu$ F/25V		
C2116	23T00149L35	ELY., 47 $\mu$ F/25V		
C2117	23T00149L35	ELY., 47 $\mu$ F/25V		
C2118	23T00149L35	ELY., 47 $\mu$ F/25V		
C2119	23T90772F30	ELY., 470 $\mu$ F/16V		
C2120	23T90772F30	ELY., 470 $\mu$ F/16V		
C2123	08T93192F41	P.P., 470pF		
C2124	08T93192F41	P.P., 470pF		
C2127	08T00152L03	P.P., 330pF		
Resistor				
VR2101	18T43733P20	Variable, 100k ohm 1/2W		
DAC Pin Jack P. C. Board				
Transformer/Jack				
T2201	25T80344F01	Trans. Pulse		
J2201	09T90201F02	Plate. Phono. B0049 (1P) (DAC OUT)		
Video P. C. Board				
IC's				
IC2301	51T80475F01	TC74HCU04P		
IC2302	51T83506F01	TC74HC00P		
IC2303	51T84774F01	TORX172		
IC9101	51T80996F01	M51321P		
IC9102	51T80995F01	M51320P		
Coils/Switch				
L2302	24T50508F34	Coil, Inductor 100 $\mu$ H		
L9101	24T83852F04	Coil, PF 100 $\mu$ H		
L9102	24T83852F04	Coil, PF 100 $\mu$ H		
S2301	40T71732F02	Slide SSSP12 (COAX. OPT)		

Symbol No.	Part No.	Description			Symbol No.	Part No.	Description		
Jacks					Digital LED P. C. Board				
J2301	09T84775F01	Plate, PH RA-B ORG AU (DIG-1)			LED's				
J2302	09T84775F01	Plate, PH RA-B ORG AU (COAX)			LD2401	48T74519F06	PR3668S (RED)		
J9101-1	09T72603F04	Plate, Phono (4P) (LD/VHD)			LD2402	48T74519F06	PR3668S (RED)		
J9101-2	09T72603F04	Plate, Phono (4P) (TAPE/VIDEO-3)			Function P. C. Board				
J9101-3	09T72603F04	Plate, Phono (4P) (TAPE 2 REC-OUT)			IC's				
J9101-4	09T72603F04	Plate, Phono (4P) (VIDEO MONI)			IC4101	51T80136F02	M5238L		
Capacitors					IC4102	51T80136F02	M5238L		
C2301	23T00149L11	ELY., 33 $\mu$ F/10V			Switches				
C2303	23T00149L11	ELY., 33 $\mu$ F/10V			S4301	40T92167F01	Push, 1KEY (TONE Switch)		
C2306	23T00149L11	ELY., 33 $\mu$ F/10V			S8401-1	40T80727F01	Push, SPEC61 (CD)		
C2310	23T00149L11	ELY., 33 $\mu$ F/10V			S8401-2	40T80727F01	Push, SPEC61 (TU)		
C2311	23T00149L16	ELY., 470 $\mu$ F/10V			S8401-3	40T80727F01	Push, SPEC61 (L2)		
C9101	23T00149L21	ELY., 22 $\mu$ F/16V			S8401-4	40T80727F01	Push, SPEC61 (L1)		
C9102	23T00149L21	ELY., 22 $\mu$ F/16V			S8401-5	40T80727F01	Push, SPEC61 (LD/VHD)		
C9103	23T00149L17	ELY., 1000 $\mu$ F/10V			S8401-6	40T80727F01	Push, SPEC61 (TAPE)		
C9104	23T00149L17	ELY., 1000 $\mu$ F/10V			S8402	40T83838F01	Push, 1P (DIGITAL)		
C9105	23T00149L20	ELY., 10 $\mu$ F/16V			S8403-1	40T83687F01	Push, 2P (SIGNAL PROCESSOR)		
C9106	08T61952F02	CER., 0.1 $\mu$ F			S8403-2	40T83687F01	Push, 2P (MODE)		
C9107	23T00149L20	ELY., 10 $\mu$ F/16V			S8404	40T83838F01	Push, 1P (LINE STRAIGHT)		
C9108	08T61952F02	CER., 0.1 $\mu$ F			S8405-1	40T80735F01	Push, SPEC22 (LOUDNESS)		
C9109	23T00149L20	ELY., 10 $\mu$ F/16V			S8405-2	40T80735F01	Push, SPEC22 (MUTING)		
C9110	23T00149L20	ELY., 10 $\mu$ F/16V			S8406-1	40T83790F01	Push, 2P (DIGITAL-2)		
C9111	23T00149L17	ELY., 1000 $\mu$ F/10V			S8406-2	40T83790F01	Push, 2P (DIGITAL-1)		
C9112	23T00149L17	ELY., 1000 $\mu$ F/10V			S8407	40T83838F01	Push, 1P (FRONT/REAR)		
C9113	23T00149L20	ELY., 10 $\mu$ F/16V							
C9114	23T00149L20	ELY., 10 $\mu$ F/16V							
C9115	08T61952F02	CER., 0.1 $\mu$ F							
C9116	23T00149L20	ELY., 10 $\mu$ F/16V							
C9117	08T57851F13	T.F., 0.1 $\mu$ F							
C9118	23T00149L16	ELY., 470 $\mu$ F/10V							
C9119	23T00149L16	ELY., 470 $\mu$ F/10V							
C9120	08T57851F13	T.F., 0.1 $\mu$ F							
C9121	23T00149L20	ELY., 10 $\mu$ F/16V							
C9122	23T00149L20	ELY., 10 $\mu$ F/16V							
C9123	23T00149L21	ELY., 22 $\mu$ F/16V							

Symbol No.	Part No.	Description			Symbol No.	Part No.	Description		
Lamps					Resistors				
●	PL8301	65T83851F01	Pilot, 9V-60mA		VR4101	18T92053F01	Volume, 10K ohm B×2		
▲	PL8301	65T83851F03	Pilot, 9V-60mA		VR4102	18T92053F01	Volume, 10K ohm B×2		
■	PL8301	65T83851F03	Pilot, 9V-60mA		VR8401	18T80739F01	Volume, Balance, 250K ohm		
★	PL8301	65T83851F03	Pilot, 9V-60mA		Volume P. C. Board				
●	PL8302	65T83851F01	Pilot, 9V-60mA		Resistor				
▲	PL8302	65T83851F03	Pilot, 9V-60mA		VR4501	18T80738F02	Volume, Rotary 150k ohm BX2		
■	PL8302	65T83851F03	Pilot, 9V-60mA		Dubbing P. C. Board				
★	PL8302	65T83851F03	Pilot, 9V-60mA		Switches				
Capacitors					S5301	40T83683F02	Push (3P) (TAPE 1, 2, 3)		
C4101	08T81196F34	Mica, 100 μ F/500V			S5302	40T83684F01	Push (2P) (REC OFF, DUBBING)		
C4102	08T81196F34	Mica, 100 μ F/500V			Lamps				
C4103	23T71210F25	ELY., 2.2 μ F/50V (B.P.)			PL5101	65T80326F01	Pilot, 5V-150mA		
C4104	23T71210F25	ELY., 2.2 μ F/50V (B.P.)			PL5102	65T80326F01	Pilot, 5V-150mA		
C4105	23T00134L64	ELY., 2.2 μ F/50V			PL5103	65T80326F01	Pilot, 5V-150mA		
C4106	23T00134L64	ELY., 2.2 μ F/50V			Capacitors				
C4107	08T81196F25	Mica, 47 μ F/500V			C5102	23T00149L16	ELY., 470 μ F/10V		
C4108	08T81196F25	Mica, 47 μ F/500V			C5103	23S40657F04	ELY., 220 μ F/6.3V		
C4109	23T71210F12	ELY., 4.7 μ F/25V (B.P.)			Tape LED P. C. Board				
C4110	23T71210F12	ELY., 4.7 μ F/25V (B.P.)			LED's				
C4111	08T57851F15	T.F., 0.15 μ F			LD5301	48T74519F06	PR3668S (RED)		
C4112	08T57851F15	T.F., 0.15 μ F			LD5302	48T74519F06	PR3668S (RED)		
C4113	08T57851F05	T.F., 0.022 μ F			LD5303	48T74519F06	PR3668S (RED)		
C4114	08T57851F05	T.F., 0.022 μ F			LD5304	48T74519F06	PR3668S (RED)		
C4115	23T71210F12	ELY., 4.7 μ F/25V (B.P.)			LD5305	48T74519F06	PR3668S (RED)		
C4116	23T71210F12	ELY., 4.7 μ F/25V (B.P.)			LD5306	48T74519F06	PR3668S (RED)		
C4117	08T57851F35	T.F., 8200pF			Notes				
C4118	08T57851F35	T.F., 8200pF			● : For Japanese model only (JA), ■ : For North American model only (UZ),				
C4201	23S57007F21	ELY., 10 μ F/25V			★ : For Canadian model only (UQ), ▲ : For European model only (AD), Others : Common.				
C4202	23S57007F21	ELY., 10 μ F/25V							
▲	C8303	08T00152L03	P.P., 330pF						
▲	C8304	08T00152L03	P.P., 330pF						
	C8305	08T00152L08	P.P., 820pF						
	C8306	08T00152L08	P.P., 820pF						
	C8307	08T57851F03	T.F., 0.015 μ F						
	C8308	08T57851F03	T.F., 0.015 μ F						

Notes : ● : For Japanese model only (JA), ■ : For North American model only (UZ),  
★ : For Canadian model only (UQ), ▲ : For European model only (AD), Others : Common.

Symbol No.	Part No.	Description		
Speaker Switch P. C. Board				
Diode/Relays/Switch				
	D6401	48S40477U01	IN4003	
●	RL6401	80T83849F02	Relay, OMI-SS-9V	
■	RL6401	80T83849F02	Relay, OMI-SS-9V	
▲	RL6401	80T83849F02	Relay, OMI-SS-9V	
★	RL6401	80T70844F03	Relay, G5R-2232P-9V	
	S6402	40T71729F02	Switch, Push SPUN21 (Speaker Switch)	
Resistors				
	R6303	06T92265F41	M.F., 470 ohm 3W	
	R6304	06T92265F41	M.F., 470 ohm 3W	
Speaker Terminal P. C. Board				
Jack				
	J6601	09T83850F02	Terminal, Speaker (8P)	
Capacitors				
▲	C6501	08S40805F07	CER., 1000pF	
▲	C6502	08S40805F07	CER., 1000pF	
▲	C6503	08S40805F21	CER., 0.022 $\mu$ F	
▲	C6504	08S40805F07	CER., 1000pF	
▲	C6505	08S40805F21	CER., 0.022 $\mu$ F	
▲	C6506	08S40805F07	CER., 1000pF	
Power Drive P. C. Board				
Transistors				
	Q7101	48T72598F01	2SC2291	
	Q7102	48T72598F01	2SC2291	
	Q7103	48T61719F01	FET, 2SK389	
	Q7104	48T61719F01	FET, 2SK389	
	Q7107	48T72889F01	2SC2910	
	Q7108	48T72889F01	2SC2910	
	Q7109	48T71752F03	FET, 2SJ109	
	Q7110	48T71752F03	FET, 2SJ109	
	Q7111	48T72888F01	2SA1208	
	Q7112	48T72888F01	2SA1208	

Symbol No.	Part No.	Description		
	Q7113	48T64375F01	2SA1360	
	Q7114	48T64375F01	2SA1360	
	Q7115	48T64376F01	2SC3423	
	Q7116	48T64376F01	2SC3423	
	Q7117	48T61719F01	FET, 2SK389	
	Q7118	48T61719F01	FET, 2SK389	
	Q7119	48T72597F01	2SA995	
	Q7120	48T72597F01	2SA995	
●	Q7121	48T66948F01	FET, 2SK246	
■	Q7121	48T66948F03	FET, 2SK246	
▲	Q7121	48T66948F03	FET, 2SK246	
★	Q7121	48T66948F03	FET, 2SK246	
●	Q7122	48T66948F01	FET, 2SK246	
■	Q7122	48T66948F03	FET, 2SK246	
▲	Q7122	48T66948F03	FET, 2SK246	
★	Q7122	48T66948F03	FET, 2SK246	
	Q7123	48T64375F01	2SA1360	
	Q7124	48T64375F01	2SA1360	
	Q7125	48T64376F01	2SC3423	
	Q7126	48T64376F01	2SC3423	
	Q7127	48T72888F01	2SA1208	
	Q7128	48T72888F01	2SA1208	
Diodes				
	D7101	48S40477U01	IN4003	
	D7102	48S40477U01	IN4003	
■	D7201	48T44813F01	MA165TA	
■	D7202	48T44813F01	MA165TA	
■	D7203	48T44813F01	MA165TA	
■	D7204	48T44813F01	MA165TA	
	ZD7101	48T52741F05	Zener, HZ6B-2L	
	ZD7102	48T52741F05	Zener, HZ6B-2L	
	ZD7103	48T52741F05	Zener, HZ6B-2L	
	ZD7104	48T52741F05	Zener, HZ6B-2L	
	ZD7105	48T52741F05	Zener, HZ6B-2L	
	ZD7106	48T52741F05	Zener, HZ6B-2L	
Capacitors				
	C7103	08T57851F29	T.F., 2700pF	
	C7104	08T57851F29	T.F., 2700pF	
	C7105	23T00138L46	ELY., 2.2 $\mu$ F/50V	
	C7106	23T00138L46	ELY., 2.2 $\mu$ F/50V	
	C7107	08T57851F13	T.F., 0.1 $\mu$ F	
	C7108	08T57851F13	T.F., 0.1 $\mu$ F	
	C7113	08T81196F25	Mica, 47pF/500V	
	C7114	08T81196F25	Mica, 47pF/500V	
	C7115	08T81196F29	Mica, 62pF/500V	
	C7116	08T81196F29	Mica, 62pF/500V	

Notes: ● : For Japanese model only (JA), ■ : For North American model only (UZ),  
★ : For Canadian model only (UQ), ▲ : For European model only (AD), Others : Common.

Symbol No.	Part No.	Description			Symbol No.	Part No.	Description		
C7117	23T00138L46	ELY., 2.2 $\mu$ F/50V			Capacitors				
C7118	23T00138L46	ELY., 2.2 $\mu$ F/50V			● C7701	23T00138L73	ELY., 2.2 $\mu$ F/100V		
C7119	23T00138L46	ELY., 2.2 $\mu$ F/50V			▲ C7701	23T00138L73	ELY., 2.2 $\mu$ F/100V		
C7120	23T00138L46	ELY., 2.2 $\mu$ F/50V			● C7702	23T00138L73	ELY., 2.2 $\mu$ F/100V		
C7121	23T81031F05	ELY., (B.P.) 10 $\mu$ F/100V			▲ C7702	23T00138L73	ELY., 2.2 $\mu$ F/100V		
C7122	23T81031F05	ELY., (B.P.) 10 $\mu$ F/100V			Resistors				
C7123	08T81196F04	Mica, 5pF/500V			● R7701	06T92265F41	M.F., 470 ohm 3W		
C7124	08T81196F04	Mica, 5pF/500V			▲ R7701	06T92265F41	M.F., 470 ohm 3W		
C7125	08T00151L01	P.P., 100pF			● R7702	06T92265F41	M.F., 470 ohm 3W		
C7126	08T00151L01	P.P., 100pF			▲ R7702	06T92265F41	M.F., 470 ohm 3W		
● C7201	23T00132L25	ELY., 47 $\mu$ F/50V			Input P. C. Board				
▲ C7201	23T00132L24	ELY., 33 $\mu$ F/50V			IC's				
■ C7201	23T00132L24	ELY., 33 $\mu$ F/50V			■ IC9501	51T80136F02	M5238L		
★ C7201	23T00132L24	ELY., 33 $\mu$ F/50V			★ IC9501	51T80136F02	M5238L		
● C7202	23T00132L25	ELY., 47 $\mu$ F/50V			Transistors				
▲ C7202	23T00132L24	ELY., 33 $\mu$ F/50V			■ Q9501	48T52508F01	2SC1545		
■ C7202	23T00132L24	ELY., 33 $\mu$ F/50V			★ Q9501	48T52508F01	2SC1545		
★ C7202	23T00132L24	ELY., 33 $\mu$ F/50V			Diodes				
● C7203	23T00132L25	ELY., 47 $\mu$ F/50V			D8201	48S40477U01	1N4003		
▲ C7203	23T00132L24	ELY., 33 $\mu$ F/50V			D8202	48S40477U01	1N4003		
■ C7203	23T00132L24	ELY., 33 $\mu$ F/50V			D8203	48S40477U01	1N4003		
★ C7203	23T00132L24	ELY., 33 $\mu$ F/50V			■ D9501	48S40477U01	1N4003		
● C7204	23T00132L25	ELY., 47 $\mu$ F/50V			★ D9501	48S40477U01	1N4003		
▲ C7204	23T00132L24	ELY., 33 $\mu$ F/50V			■ D9502	48T68764F01	1S2471		
■ C7204	23T00132L24	ELY., 33 $\mu$ F/50V			★ D9502	48T68764F01	1S2471		
★ C7204	23T00132L24	ELY., 33 $\mu$ F/50V			Coils				
C7305	23T00133L66	ELY., 33 $\mu$ F/100V			■ L9501	24T83852F04	PF 100 $\mu$ H		
C7306	23T00133L66	ELY., 33 $\mu$ F/100V			★ L9501	24T83852F04	PF 100 $\mu$ H		
C7307	23T00133L66	ELY., 33 $\mu$ F/100V			■ L9502	24T83852F04	PF 100 $\mu$ H		
C7308	23T00133L66	ELY., 33 $\mu$ F/100V			★ L9502	24T83852F04	PF 100 $\mu$ H		
Sub Power P. C. Board									
Transistors									
● Q7701	48T60555F01	2SC3298							
▲ Q7701	48T60555F01	2SC3298							
● Q7702	48T60556F01	2SA1306							
▲ Q7702	48T60556F01	2SA1306							
Diodes									
● ZD7701	48T40150U70	Zener, HZ15-1							
▲ ZD7701	48T40150U70	Zener, HZ15-1							
● ZD7702	48T40150U70	Zener, HZ15-1							
▲ ZD7702	48T40150U70	Zener, HZ15-1							

Notes : ● : For Japanese model only (JA), ■ : For North American model only (UZ),  
 ★ : For Canadian model only (UQ), ▲ : For European model only (AD), Others : Common.



Symbol No.	Part No.	Description			Symbol No.	Part No.	Description		
Relays									
RL8201	80T83717F01	DS2Y-S-DC9V			■	C8112	08T55260F37	CER.,	100pF
RL8202	80T83717F01	DS2Y-S-DC9V			★	C8112	08T55260F37	CER.,	100pF
●	RL8203	80T83717F05	DS2Y-S-DC5V		▲	C8112	08T55260F43	CER.,	330pF
▲	RL8203	80T83717F03	AGY232		●	C8113	08T55260F37	CER.,	100pF
■	RL8203	80T83717F03	AGY232		■	C8113	08T55260F37	CER.,	100pF
★	RL8203	80T83717F03	AGY232		★	C8113	08T55260F37	CER.,	100pF
■	RL9501	80T83717F01	DS2Y		▲	C8113	08T55260F43	CER.,	330pF
★	RL9501	80T83717F01	DS2Y		●	C8114	08T55260F37	CER.,	100pF
Switch/Jacks									
S8101	40T81770F01	Switch, Slide			■	C8114	08T55260F37	CER.,	100pF
J8201	09T80742F01	Plate, Phono T6087 (6P) (CD, TUNER, LINE2)			★	C8114	08T55260F43	CER.,	330pF
J8202	09T80740F01	Plate, Phono T6027 (4P) (LINE1, LD/VHD)			▲	C8115	08T55260F37	CER.,	100pF
J8203	09T80740F01	Plate, Phono T6027 (4P) (R1, M1)			★	C8115	08T55260F37	CER.,	100pF
J8204	09T80740F01	Plate, Phono T6027 (4P) (R2, M2)			▲	C8115	08T55260F43	CER.,	330pF
J8205	09T80741F01	Plate, Phono T6085 (4P) (R3, M3)			●	C8116	08T55260F37	CER.,	100pF
J8206	09T80741F01	Plate, Phono T6085 (4P) (IN. OUT)			■	C8116	08T55260F37	CER.,	100pF
■	J9501	09T84779F01	Plate, Phono (PRE-OUT)		★	C8116	08T55260F37	CER.,	100pF
★	J9501	09T84779F01	Plate, Phono (PRE-OUT)		▲	C8116	08T55260F43	CER.,	330pF
Capacitors									
▲	C8101	08T61939F47	CER.,	330pF	●	C8117	08T55260F37	CER.,	100pF
▲	C8102	08T61939F47	CER.,	330pF	■	C8117	08T55260F37	CER.,	100pF
▲	C8103	08T61939F47	CER.,	330pF	★	C8117	08T55260F37	CER.,	100pF
▲	C8104	08T61939F47	CER.,	330pF	▲	C8117	08T55260F43	CER.,	330pF
▲	C8105	08T61939F47	CER.,	330pF	●	C8118	08T55260F37	CER.,	100pF
▲	C8106	08T61939F47	CER.,	330pF	■	C8118	08T55260F37	CER.,	100pF
▲	C8107	08T61939F47	CER.,	330pF	★	C8118	08T55260F37	CER.,	100pF
▲	C8108	08T61939F47	CER.,	330pF	▲	C8118	08T55260F43	CER.,	330pF
▲	C8109	08T61939F47	CER.,	330pF	●	C8119	08T55260F37	CER.,	100pF
▲	C8110	08T61939F47	CER.,	330pF	■	C8119	08T55260F37	CER.,	100pF
●	C8111	08T55260F37	CER.,	100pF	★	C8119	08T55260F37	CER.,	100pF
■	C8111	08T55260F37	CER.,	100pF	▲	C8119	08T55260F43	CER.,	330pF
★	C8111	08T55260F37	CER.,	100pF	●	C8120	08T55260F37	CER.,	100pF
▲	C8111	08T55260F43	CER.,	330pF	■	C8120	08T55260F37	CER.,	100pF
●	C8112	08T55260F37	CER.,	100pF	★	C8120	08T55260F37	CER.,	100pF
					▲	C8120	08T55260F43	CER.,	330pF
					●	C8121	08T55260F37	CER.,	100pF
					■	C8121	08T55260F37	CER.,	100pF
					★	C8121	08T55260F37	CER.,	100pF
					▲	C8121	08T55260F43	CER.,	330pF
						C8123	08T81196F34	Mica,	100pF/50V
						C8124	08T81196F34	Mica,	100pF/50V
						C8125	08T81196F34	Mica,	100pF/50V
						C8126	08T81196F34	Mica,	100pF/50V
					■	C9501	08S65480F60	CER.,	8200pF

Notes : ● : For Japanese model only (JA), ■ : For North American model only (UZ),  
 ★ : For Canadian model only (UQ), ▲ : For European model only (AD), Others : Common.

Symbol No.	Part No.	Description			Symbol No.	Part No.	Description		
★	C9501	08S65480F60	CER.,	8200pF	Function LED P. C. Board				
■	C9502	08S65480F60	CER.,	8200pF					
★	C9502	08S65480F60	CER.,	8200pF	IC				
■	C9503	23T71210F12	ELY.,	4.7 $\mu$ F/25V (B.P.)					
★	C9503	23T71210F12	ELY.,	4.7 $\mu$ F/25V (B.P.)	IC8501	51T62558F01	$\mu$ PD4069UBC		
■	C9504	23T71210F12	ELY.,	4.7 $\mu$ F/25V (B.P.)	LED's				
★	C9504	23T71210F12	ELY.,	4.7 $\mu$ F/25V (B.P.)					
■	C9505	08T61939F27	CER.,	47pF	LD8501	48T66616F02	SLR-54VR3 (RED)		
★	C9505	08T61939F27	CER.,	47pF	LD8502	48T66616F02	SLR-54VR3 (RED)		
■	C9506	08T61939F27	CER.,	47pF	LD8503	48T66616F02	SLR-54VR3 (RED)		
★	C9506	08T61939F27	CER.,	47pF	LD8504	48T66616F02	SLR-54VR3 (RED)		
■	C9507	23T42477F06	ELY.,	10 $\mu$ F/16V (B.P.)	LD8505	48T66616F02	SLR-54VR3 (RED)		
★	C9507	23T42477F06	ELY.,	10 $\mu$ F/16V (B.P.)	LD8506	48T66616F02	SLR-54VR3 (RED)		
■	C9508	23T42477F06	ELY.,	10 $\mu$ F/16V (B.P.)	ZD8501	48T55029F39	Zener, HZ12BP		
★	C9508	23T42477F06	ELY.,	10 $\mu$ F/16V (B.P.)	Capacitors				
■	C9509	23T42477F06	ELY.,	10 $\mu$ F/16V (B.P.)					
★	C9509	23T42477F06	ELY.,	10 $\mu$ F/16V (B.P.)	C8501	23T00136L38	ELY., 10 $\mu$ F/25V		
■	C9510	23T42477F06	ELY.,	10 $\mu$ F/16V (B.P.)	C8502	08T61939F57	CER., 1000pF		
★	C9510	23T42477F06	ELY.,	10 $\mu$ F/16V (B.P.)	Front AV P. C. Board				
■	C9511	08T61939F35	CER.,	100pF					
★	C9511	08T61939F35	CER.,	100pF	Jacks				
■	C9512	08T61939F35	CER.,	100pF					
★	C9512	08T61939F35	CER.,	100pF	J9401	09T80329F01	Plate, Phono T-6025F (FRONT L)		
■	C9513	08T61939F35	CER.,	100pF	J9402	09T80329F01	Plate, Phono T-6025F (FRONT R)		
★	C9513	08T61939F35	CER.,	100pF	J9403	09T80329F01	Plate, Phono T-6025F (FRONT AV)		
■	C9514	08T61939F35	CER.,	100pF	Miscellaneous				
★	C9514	08T61939F35	CER.,	100pF					
■	C9551	08T61939F27	CER.,	47pF	BD1101	48T81924F01	Bridge, RBV-602		
★	C9551	08T61939F27	CER.,	47pF	▲ J1002	09T51831F01	Socket, Switch		
■	C9552	23T00149L02	ELY.,	47 $\mu$ F/6.3V	● J1201	09T84523F01	Socket, Outlet		
★	C9552	23T00149L02	ELY.,	47 $\mu$ F/6.3V	★ J1202	09T84523F01	Socket, Outlet		
■	C9553	08T57851F13	T.F.,	0.1 $\mu$ F	■ J1202	09T84523F01	Socket, Outlet		
★	C9553	08T57851F13	T.F.,	0.1 $\mu$ F	J8701	09T56010F02	Jack, Head Phono		
■	C9554	08T57851F13	T.F.,	0.1 $\mu$ F	▲ P1001	28T65151F03	Plug, AC Cord		
★	C9554	08T57851F13	T.F.,	0.1 $\mu$ F	■ P1001	28T66838F01	Plug, AC Cord		
■	C9555	23T00149L53	ELY.,	2.2 $\mu$ F/50V	★ P1001	28T66838F01	Plug, AC Cord		
★	C9555	23T00149L53	ELY.,	2.2 $\mu$ F/50V	● P1001	28T81592F01	Plug, AC Cord		
■	C9556	23T00149L53	ELY.,	2.2 $\mu$ F/50V					
★	C9556	23T00149L53	ELY.,	2.2 $\mu$ F/50V					

Notes : ● : For Japanese model only (JA), ■ : For North American model only (UZ),  
 ★ : For Canadian model only (UQ), ▲ : For European model only (AD), Others : Common.

Symbol No.	Part No.	Description			Symbol No.	Part No.	Description		
▲ P1002	09T51830F01	Plug, Switch							
Q1103	48T71778F01	FET, 2SK214							
Q1104	48T71779F01	FET, 2SJ77							
Q7601	48T64375F01	2SA1360							
Q7505	48T90205F02	2SD1763A							
Q7506	48T90205F02	2SD1763A							
Q7507	48T90203F02	2SB1186A							
Q7508	48T90203F02	2SB1186A							
Q7509	48T81861F04	2SC3855							
Q7510	48T81861F04	2SC3855							
Q7511	48T81860F04	2SA1491							
Q7512	48T81860F04	2SA1491							
Q7513	48T81861F04	2SC3855							
Q7514	48T81861F04	2SC3855							
Q7515	48T81860F04	2SA1491							
Q7516	48T81860F04	2SA1491							
Q7521	48T92782F01	2SC3964							
Q7522	48T92782F01	2SC3964							
● T1001	25T90218F01	Trans, Power							
★ T1001	25T90218F02	Trans, Power							
■ T1001	25T90218F02	Trans, Power							
▲ T1001	25T90218F03	Trans, Power							

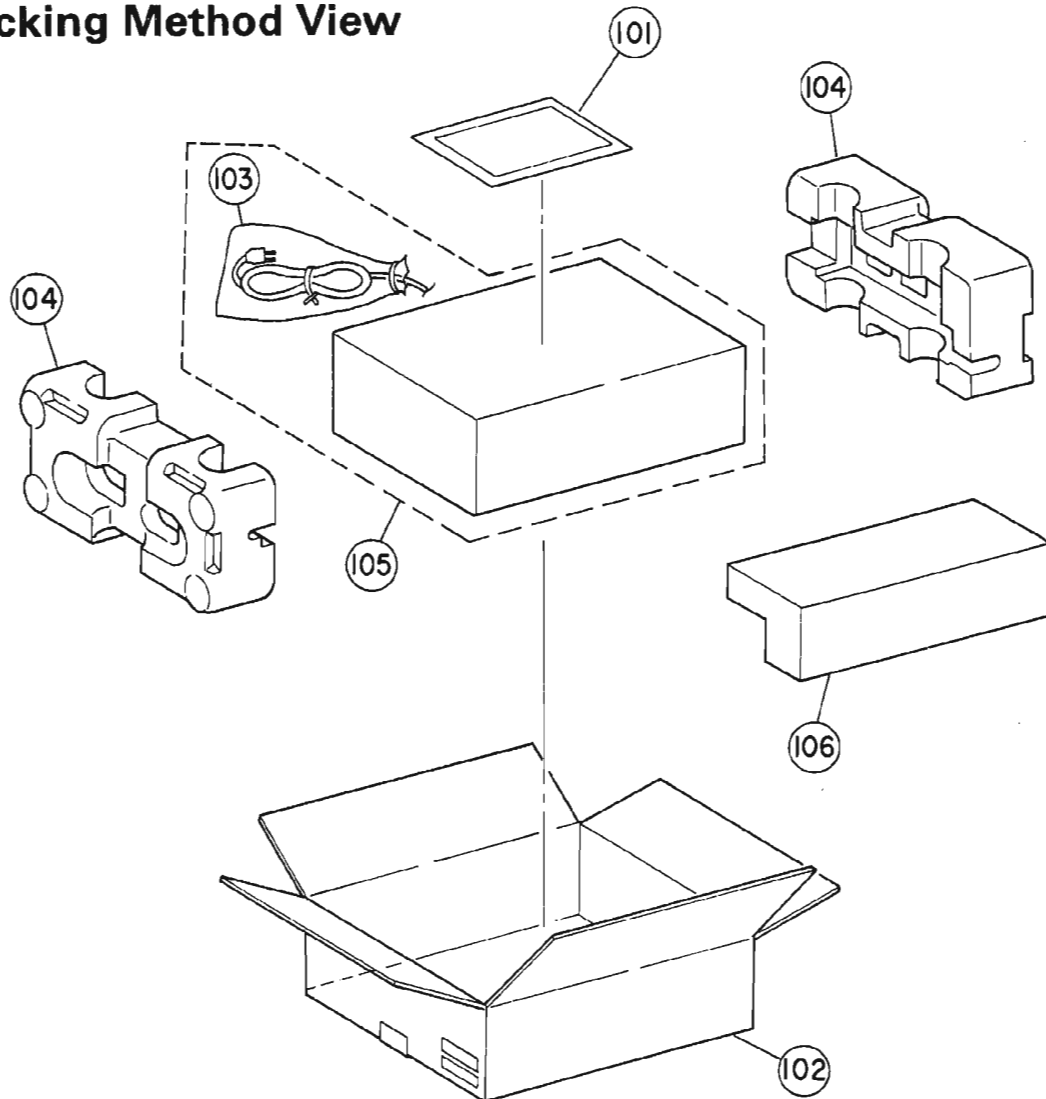
Notes : ● : For Japanese model only (JA), ■ : For North American model only (UZ),  
 ★ : For Canadian model only (UQ), ▲ : For European model only (AD), Others : Common.

## Packing Assembly Parts List

Symbol No.	Part No.	Description			Symbol No.	Part No.	Description		
●	101	68P81707F20	Owners Manual			105	56B40442T08	Packing, Front Frame	
■	101	68P81707F70	Owners Manual			106	56B93363F01	Pad, Packing	
▲	101	68P81707F71	Owners Manual						
★	101	68P81707F71	Owners Manual						
●	102	56S71001F97	Carton, Packing						
▲	102	56S71001F98	Carton, Packing						
■	102	56S71001F98	Carton, Packing						
★	102	56S71001F98	Carton, Packing						
	103	56B40230G08	Sack, Polyethylene						
	104	56D83828F01	Tray, Packing						

Notes : ● : For Japanese model only (JA), ■ : For North American model only (UZ), ★ : For Canadian model only (UQ), ▲ : For European model only (AD). Others : Common.

## Packing Method View



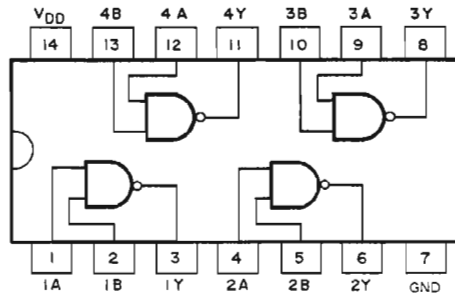
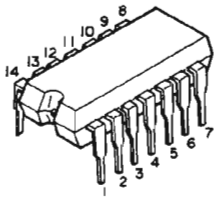
# Cabinet Assembly Parts List

NOTE: The parts without part numbers are not supplied.

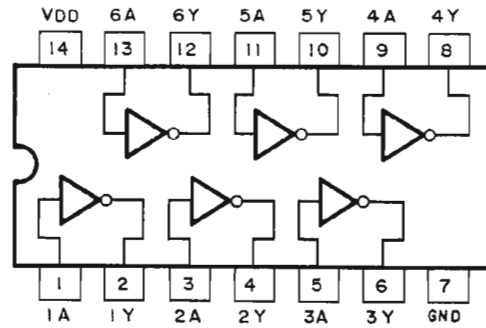
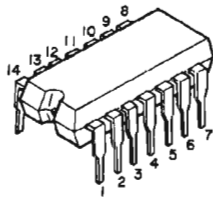
Symbol No.	Index	Part No.	Description	Symbol No.	Index	Part No.	Description		
●	1	4-A	01V91200F15	Assy., Front Panel	36		03S40036U12	Screw, Tapping (M4 × 6)	
▲	1	4-A	01V91900F80	Panel, Front	39	3-B	46T92160F01	Spacer, P.C.Board (R)	
★	1	4-A	01V91900F80	Panel, Front	41	2-H	07A84472F01	Frame, Opt Jack	
■	1	4-A	01V91900F80	Panel, Front	43	4-H	43T92160F02	Spacer, P.C.Board (12R)	
●	2		15D83824F01	Cover, Rear	44		03S44205G23	Screw, Pan (M3 × 4)	
■	2		15D83824F02	Cover, Rear	45	2-A	29C41045P02	Lug, Wrap Around	
★	2		15D83824F03	Cover, Rear	47		43A83239F02	Holder, Lamp D.D (N)	
▲	2		15D83824F04	Cover, Rear	48		03S43997P42	Screw, Countersink (M3 × 5)	
★	3	2-A	15D83815F01	Cover, Top	49		43A61758F03	Spacer, Lamp	
▲	3	2-A	15D83815F01	Cover, Top	52		43A41837U02	Spacer, LED	
■	3	2-A	15D83815F01	Cover, Top	59	5-C	14A88351F01	Insulator, Jack "A"	
●	3	2-A	15D83815F02	Cover, Top	▲	61	1-G	43B41625J02	Stopper, Cord
	4	3-A	36B83814F01	Knob, Speaker	61	1-G	43B41625J05	Stopper, Cord	
	5	3-A	36B70885F07	Knob, Power	62		29T84161F01	Star, Lug	
	6		36A80695F01	Knob, Push, Speaker	63	2-F	47T83859F01	Shaft	
	7		36A72661F01	Knob, Push, Tone	69	2-E	09T51960F01	Holder, Fuse	
	8	5-B	36A67333F01	Knob, Push	▲	70	2-E	54A63397F01	Label, Fuse (Caution)
	9	5-A	36A80706F01	Knob, Rotary Tone	★	70	2-E	54A63397F01	Label, Fuse (Caution)
	10	6-A	36B80707F01	Knob, Rotary Volume	■	70	2-E	54A63397F01	Label, Fuse (Caution)
	12	3-C	45B83823F01	Lever, Switch	●	70	2-E	54B62266F36	Label, Fuse (BA-125V)
	13		03S40012G93	Screw, Tapping (M3 × 8)	76	1-D	03C40121T17	Screw, W/ Double Washer (M3 × 8)	
	14		43A67342F01	Spacer, Switch	78	3-E	43T45472F01	Bushing	
	16	2-B	75S72374F69	Cushion, Rubber	79		03C40121T28	Screw, W/ Double Washer (M3 × 16)	
	17		75B80720F01	Trannleg, Set	82	3-G	42T93247F03	Wire, Sadol	
	18		75A80719F01	Pad, Trannleg	▲	85	2-E	43T53136F01	Bush, Cap
	19		03S63857F10	Screw, Tapping (M4 × 12)	★	85	2-E	43T53136F01	Bush, Cap
	20		75S62361F60	Cushion, Rubber	■	85	2-E	43T53136F01	Bush, Cap
	21	3-G	40T83704F01	Switch, Rotary Flex	▲	86	3-E	29T84161F03	Star, Lug Type2
●	22	1-G	09T84523F02	Cover Outlet	★	86	3-E	29T84161F03	Star, Lug Type2
★	22		09T84523F02	Cover, Outlet	■	86	3-E	29T84161F03	Star, Lug Type2
■	22		09T84523F02	Cover, Outlet	▲	87		15A82362F01	Cover, V-Selector
	23		03S40036U01	Screw, Pan (M4 × 8)	★	87		47T67899F50	Shaft, Power
	24		03S81717F01	Screw, Round (M3 × 6)	■	87		47C67899F50	Shaft, Power
	27		03S40012G96	Screw, Tapping (M3 × 6)	▲	88	1-G	03S44205G10	Switch P.C.Board
	29		03A82468F01	Screw, Round (M3 × 10)	▲	88	1-G	03S44205G10	Screw, Pan (M3 × 10)
	30	2-D	47C64899F49	Shaft, Speaker Terminal P.C.Board	■	89	1-D	54B62266F28	Label, Fuse (1A-250V)
	31		03D40014G22	Screw, W/Washer (M3 × 8)					
	32		43T45472F02	Bushing, YC20A					
	34		03S40011G17	Screw, Pan (M3 × 6)					
	35		03S40018G08	Screw, Tapping (M3 × 8)					

Notes: ● : For Japanese model only (JA), ■ : For North American model only (UZ),  
 ★ : For Canadian model only (UQ), ▲ : For European model only (AD), Others : Common.

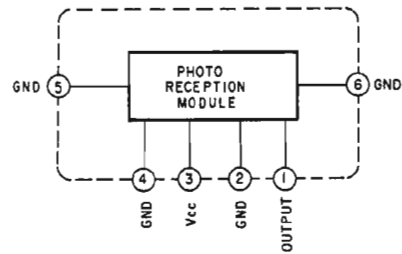
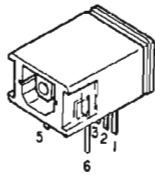
TC74HC00P : IC2112, 2302



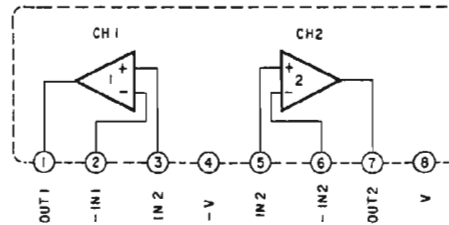
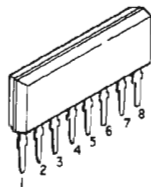
TC74HCU04P : IC2301



TORX172 : IC2303

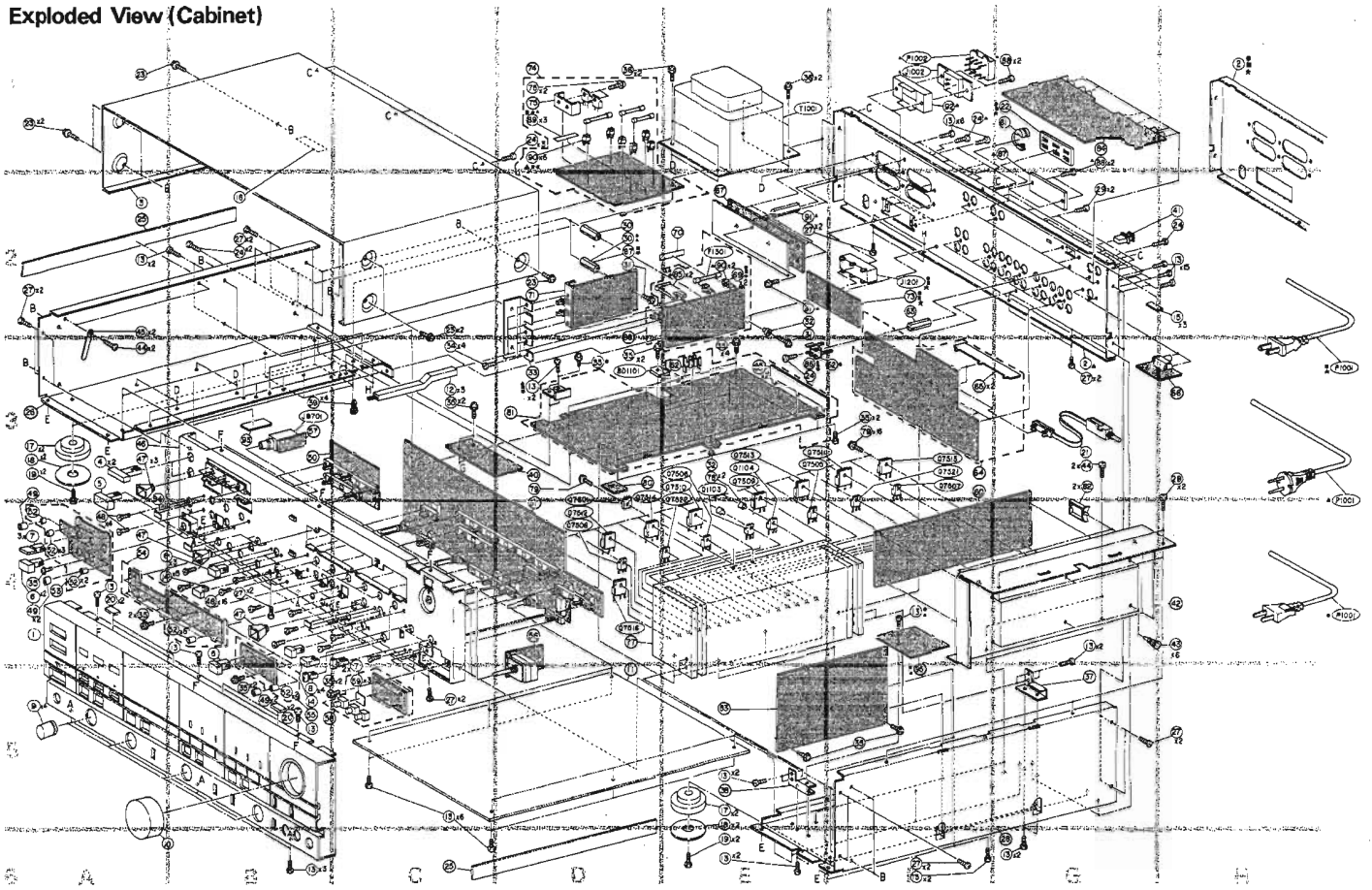


M5238L : IC4101, 4102  
: IC9501 (■, ★)



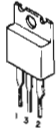
Notes : ● : For Japanese model only (JA), ■ : For North American model only (UZ),  
★ : For Canadian model only (UQ), ▲ : For European model only (AD), Others : Common.

Exploded View (Cabinet)

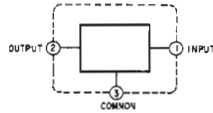


**Semi-Conductor Lead Identifications**

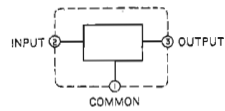
NJM7805 : IC1501  
 NJM7809FA : IC1503



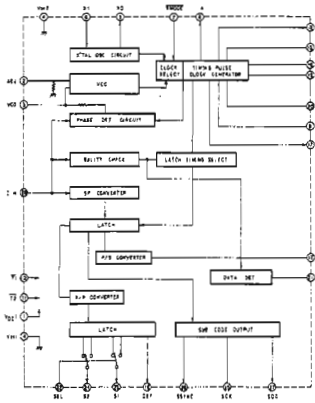
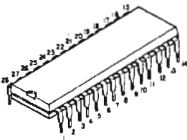
- 1. INPUT
- 2. OUTPUT
- 3. COMMON



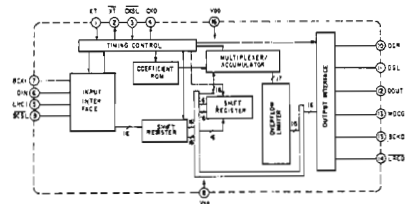
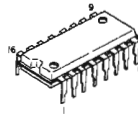
NJM79L05A : IC1502, 2111



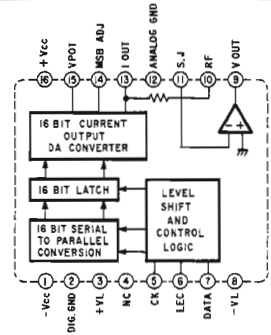
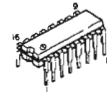
YM3823B : IC2101



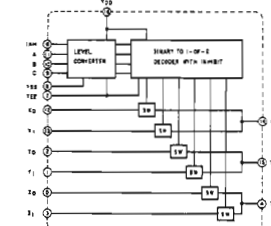
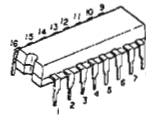
SM5807 : IC2102



PCM56JP : IC2103

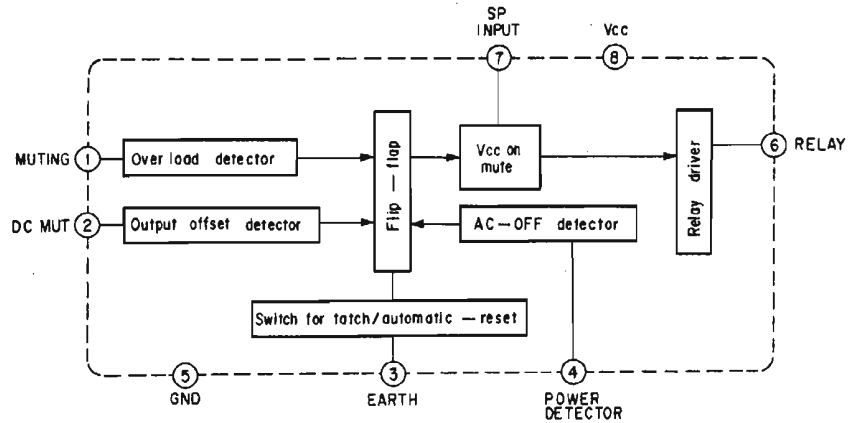
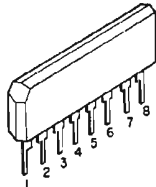


μ PD4053BC : IC2104

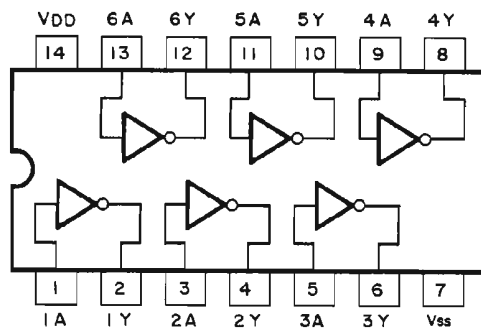
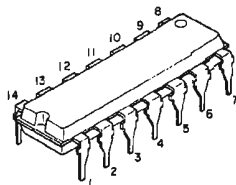




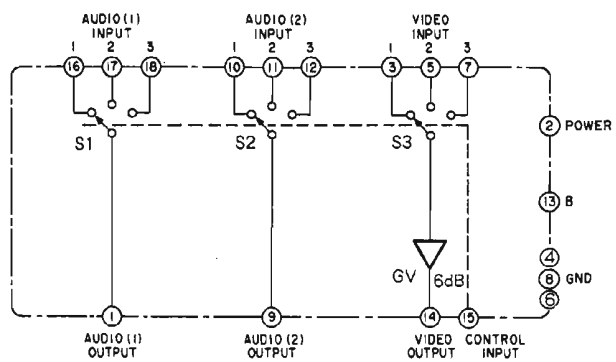
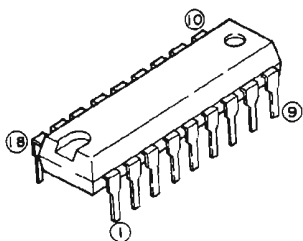
μ PC1237H : IC6401



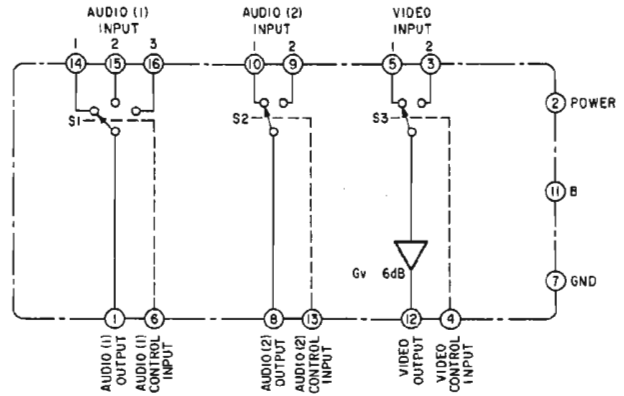
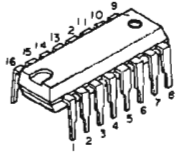
μ PD4069UBC : IC8501



M51321P : IC9101



M51320P : IC9102

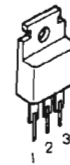


2SK246 : Q1101, 1102, 7121, 7122



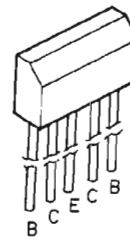
- 1. Source
- 2. Gate
- 3. Drain

2SJ77 : Q1104




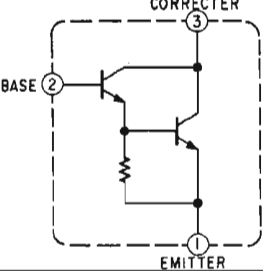
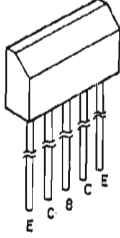
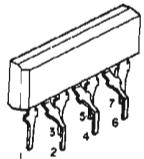

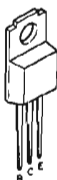

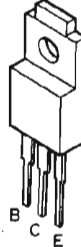
- 1. Gate
- 2. Source
- 3. Drain

2SC2259 : Q1105  
2SA979 : Q1106



2SC3421 : Q1107, 1109  
2SA1358 : Q1108, 1110  
2SA1360 : Q7113, 7114, 7123, 7124, 7601  
2SA3423 : Q7115, 7116, 7125, 7126  
2SC3964 : Q7521, 7522



<p>2SC3332S : Q2101, 2102, 2110, 7523, 7524                  2SA1319S : Q2107, 7525, 7526                  2SC2240 : Q7517, 7518                  2SA970 : Q7519, 7520</p>	
<p>2SC1545 : Q2103, 2104, 2105, 2106, 2108, 2111                  : Q9501 (■, ★)</p>	
<p>2SC2291 : Q7101, 7102                  2SA995 : Q7119, 7120</p>	
<p>2SK389 : Q7103, 7104, 7117, 7118                  2SJ109 : Q7109, 7110</p>	 <ul style="list-style-type: none"> <li>1. Drain 1</li> <li>2. Gate 1</li> <li>3. Source 1</li> <li>4. Sub-straight</li> <li>5. Source 2</li> <li>6. Gate 2</li> <li>7. Drain 2</li> </ul>
<p>2SC2910 : Q7107, 7108                  2SA1208 : Q7111, 7112, 7127, 7128</p>	<p>2SD1763A : Q7505, 7506                  2SB1186A : Q7507, 7508                  2SC3298 : Q7701                  2SA1306 : Q7702</p>  
<p>2SD1563A : Q7501 ■, 7502 ■                  2SB1086A : Q7503 ■, 7504 ■</p>	<p>2SC3855 : Q7509, 7510, 7511, 7512                  2SA1491 : Q7511, 7512, 7515, 7516</p>  

Notes : ◆ : For Japanese model only (JA), ■ : For North American model only,  
 ★ : For Canadian model only (UQ), ▲ : For European model only (AD), Others : Common.